

EN SKID PLATE KIT INSTALLATION MANUAL

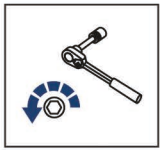
DE MONTAGEANLEITUNG FÜR UNTERBODENSCHUTZ SYSTEM

RU ИНСТРУКЦИЯ ПО УСТАНОВКЕ КОМПЛЕКТА ЗАЩИТ



For: AODES PATHCROSS 650/800/1000 (2026-)

K.8547.1



EN Regular fasteners
DE Normale Befestigung
RU Штатный крепёж



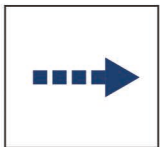
EN Regular fasteners
DE Normale Befestigung
RU Штатный крепёж



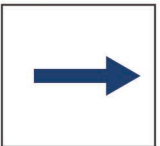
EN Screw a several turns
DE Mit wenigen Umdrehungen befestigen
RU Вкрутить на несколько оборотов



EN Loosen bolts
DE Bolzen lockern
RU Выкрутить на несколько оборотов



EN Movement Arrow
DE Bewegungsrichtung
RU Движение

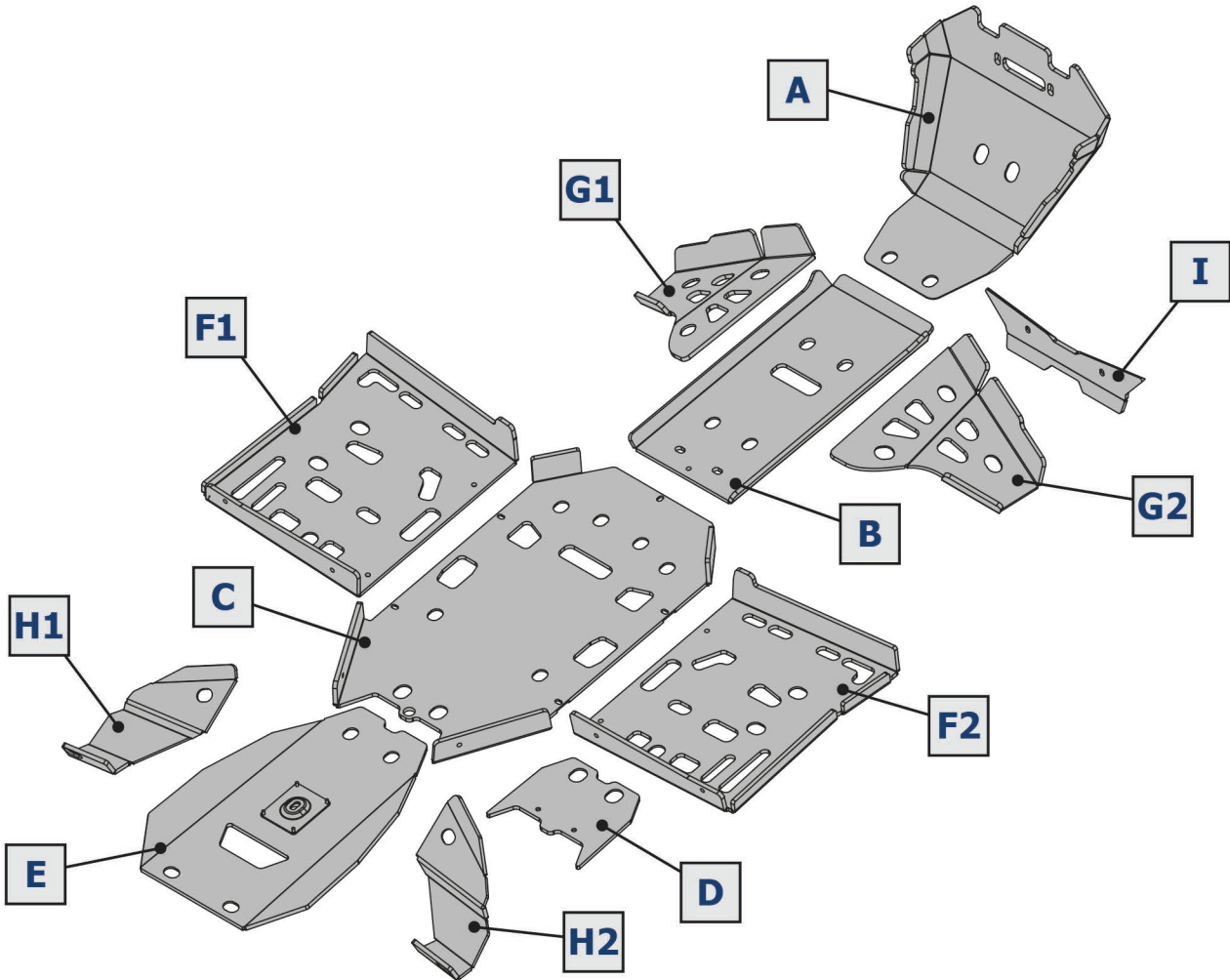


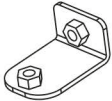

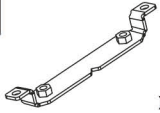
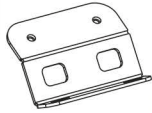
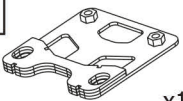
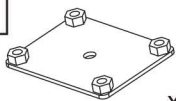

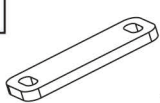
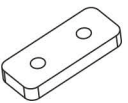


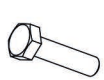
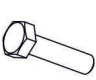

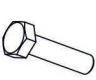
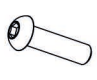







EN Location / Position Arrow
DE Anordnung / Positionsrichtung
RU Расположение

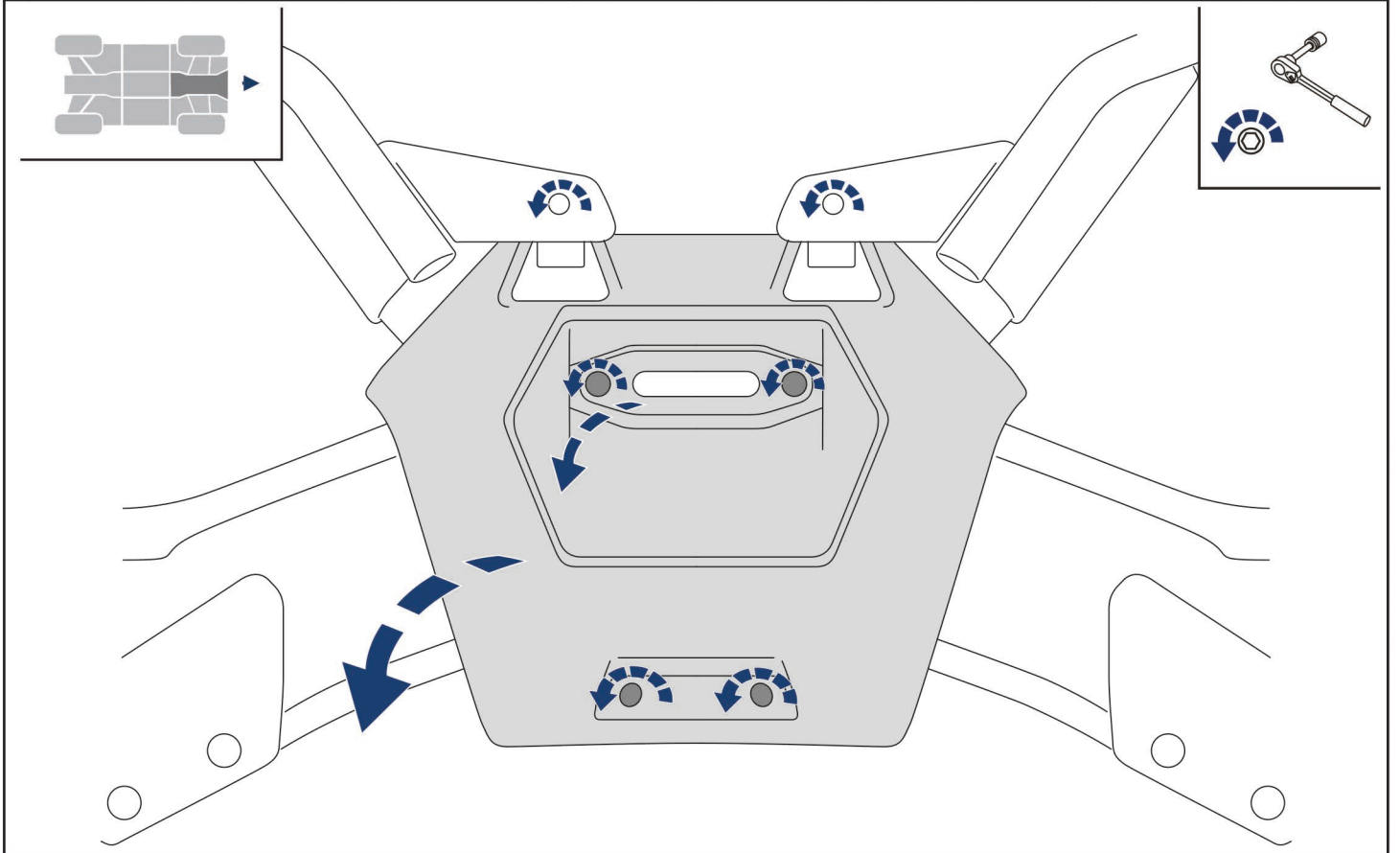
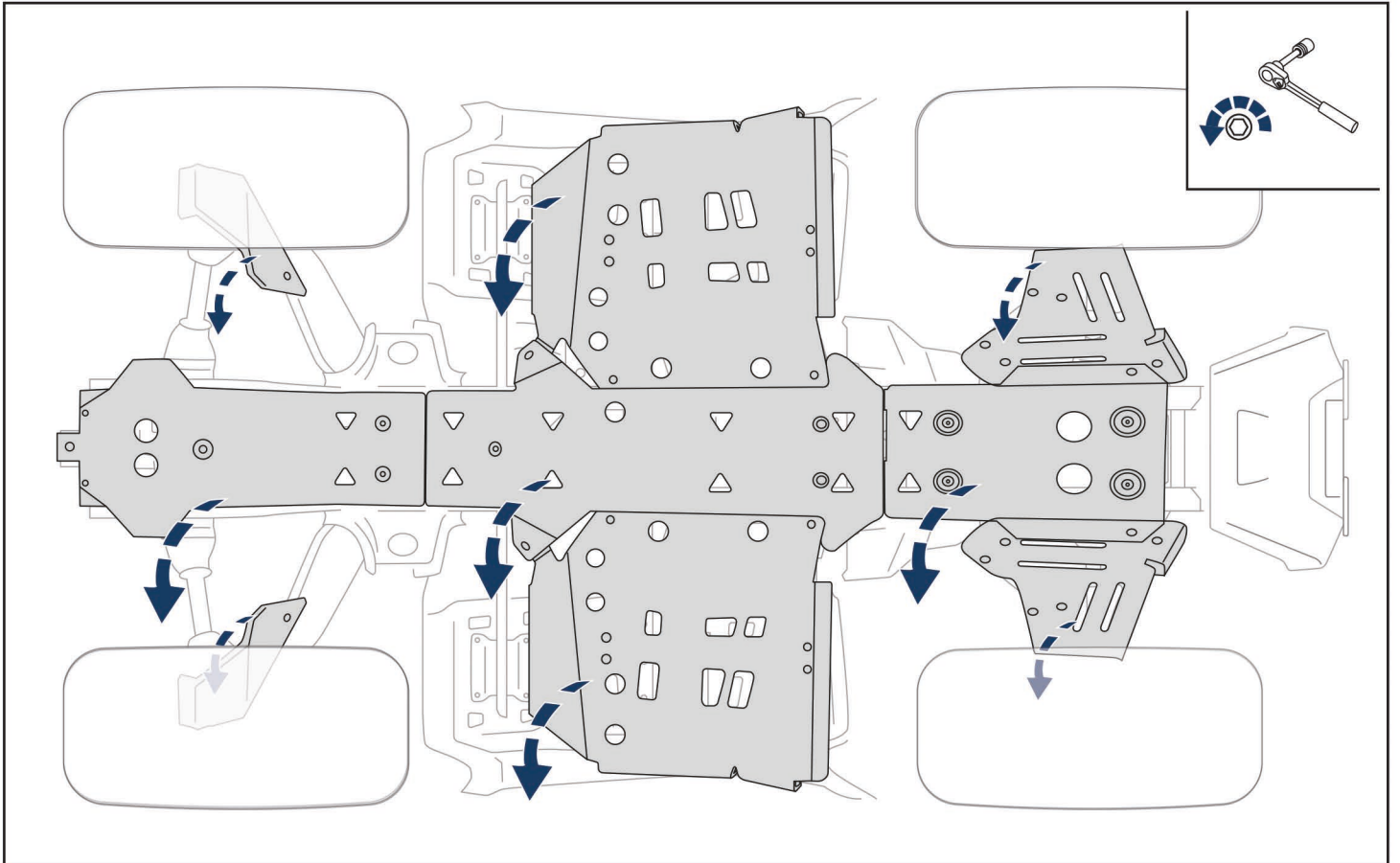


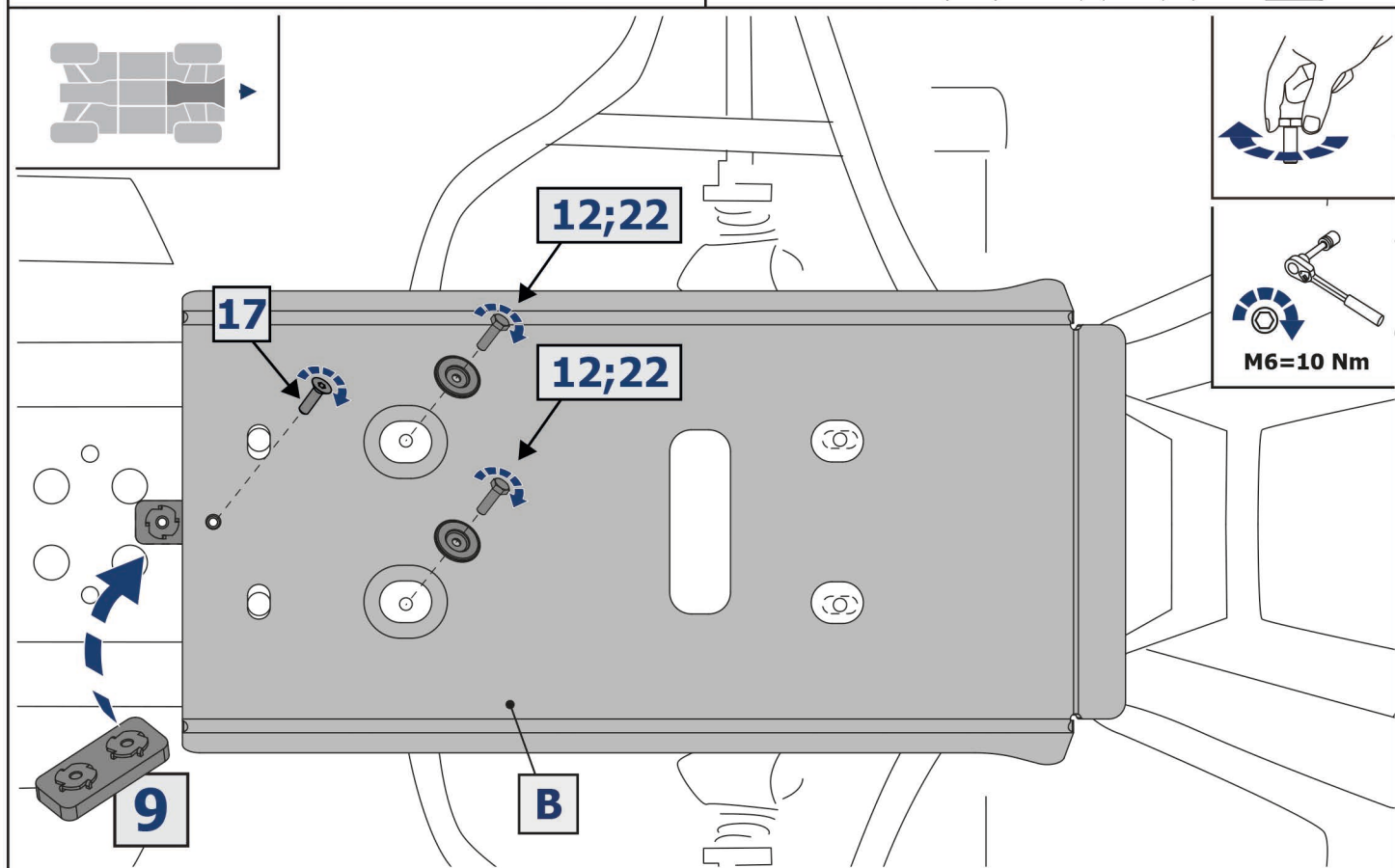
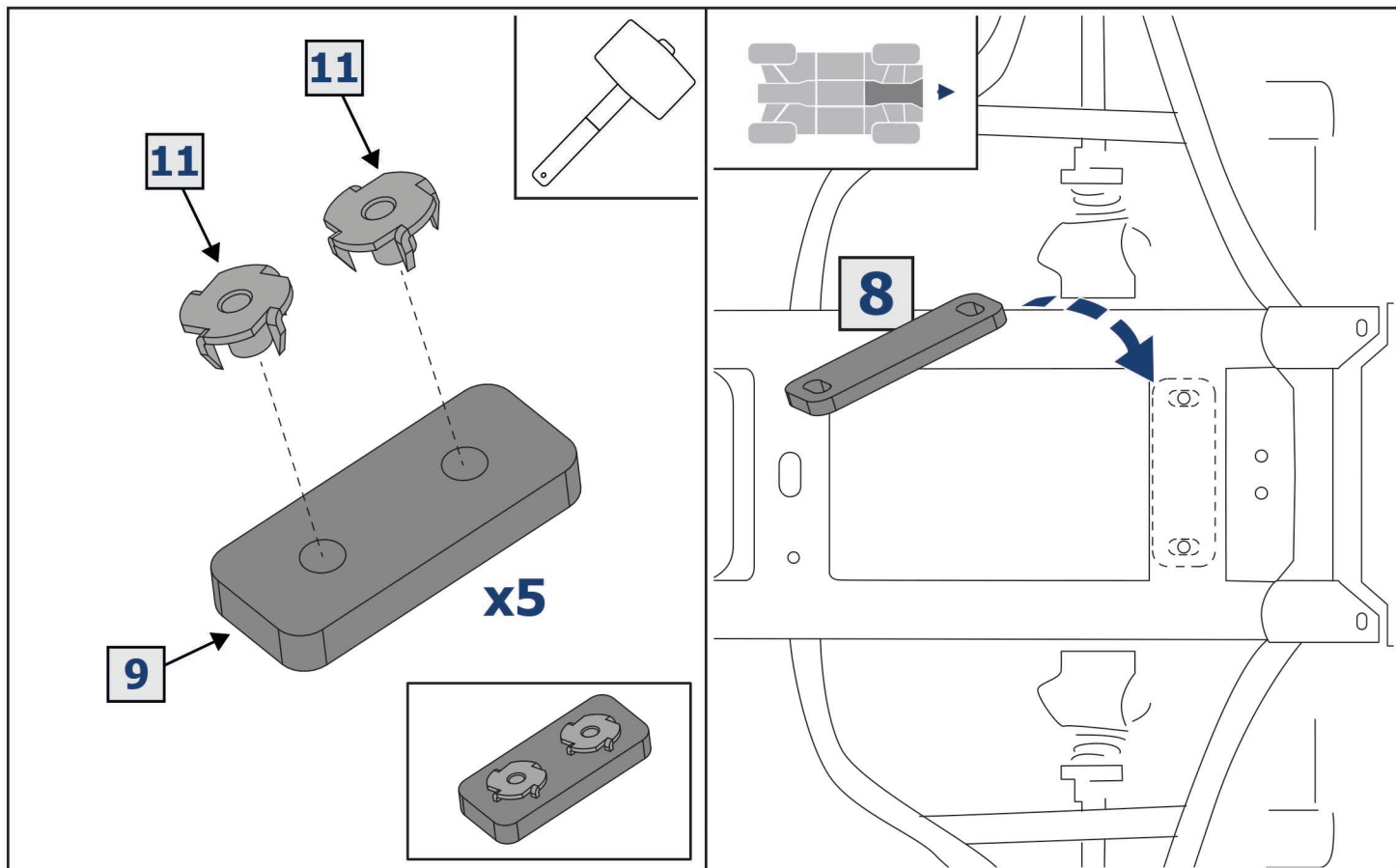
EN Screw Arrow
DE Drehrichtung
RU Поворот

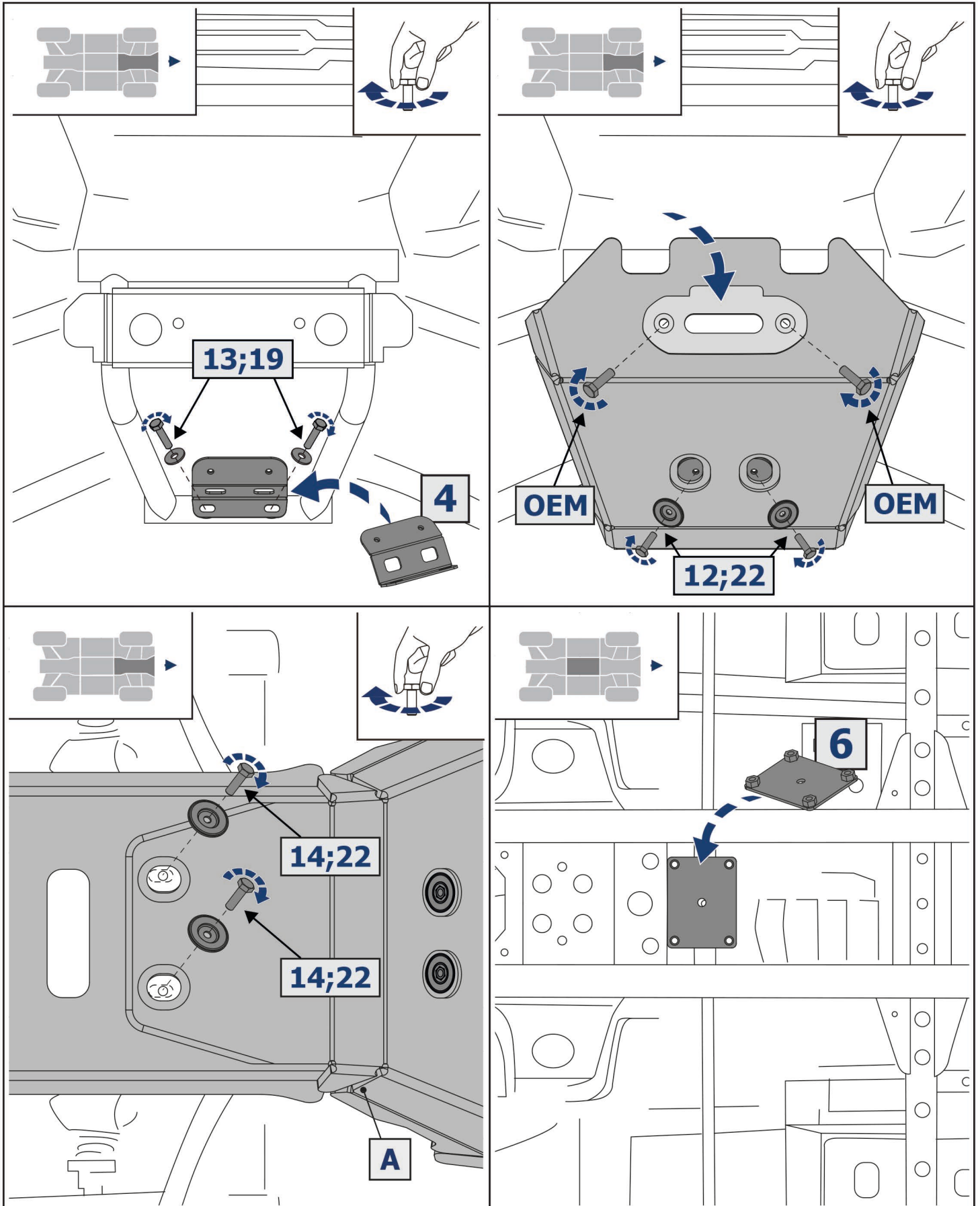
| | | | | | | |
|---------------------------------------------------------------------------------------------------------------------------|----------------------------------------------------------------------------------------------------|-------------------------------------------------------------------------------------------------------|---------------------------------------------------------------------------------------------------------------------------|-------------------------------------------------------------------------------------------------------------------------------------------|------------------------------------------------------------------------------------------------------------------|-------|
|  EN Ratchet DE Ratsche RU Трещётка |  S - 10 S - 13 |  HEX S - 4; S - 6 |  EN Mallet DE Holzhammer RU Киянка |  EN Office Knife DE Büromesser RU Канцелярский нож |  EN Wrench RU Гаечный ключ | 13 mm |
|---------------------------------------------------------------------------------------------------------------------------|----------------------------------------------------------------------------------------------------|-------------------------------------------------------------------------------------------------------|---------------------------------------------------------------------------------------------------------------------------|-------------------------------------------------------------------------------------------------------------------------------------------|------------------------------------------------------------------------------------------------------------------|-------|

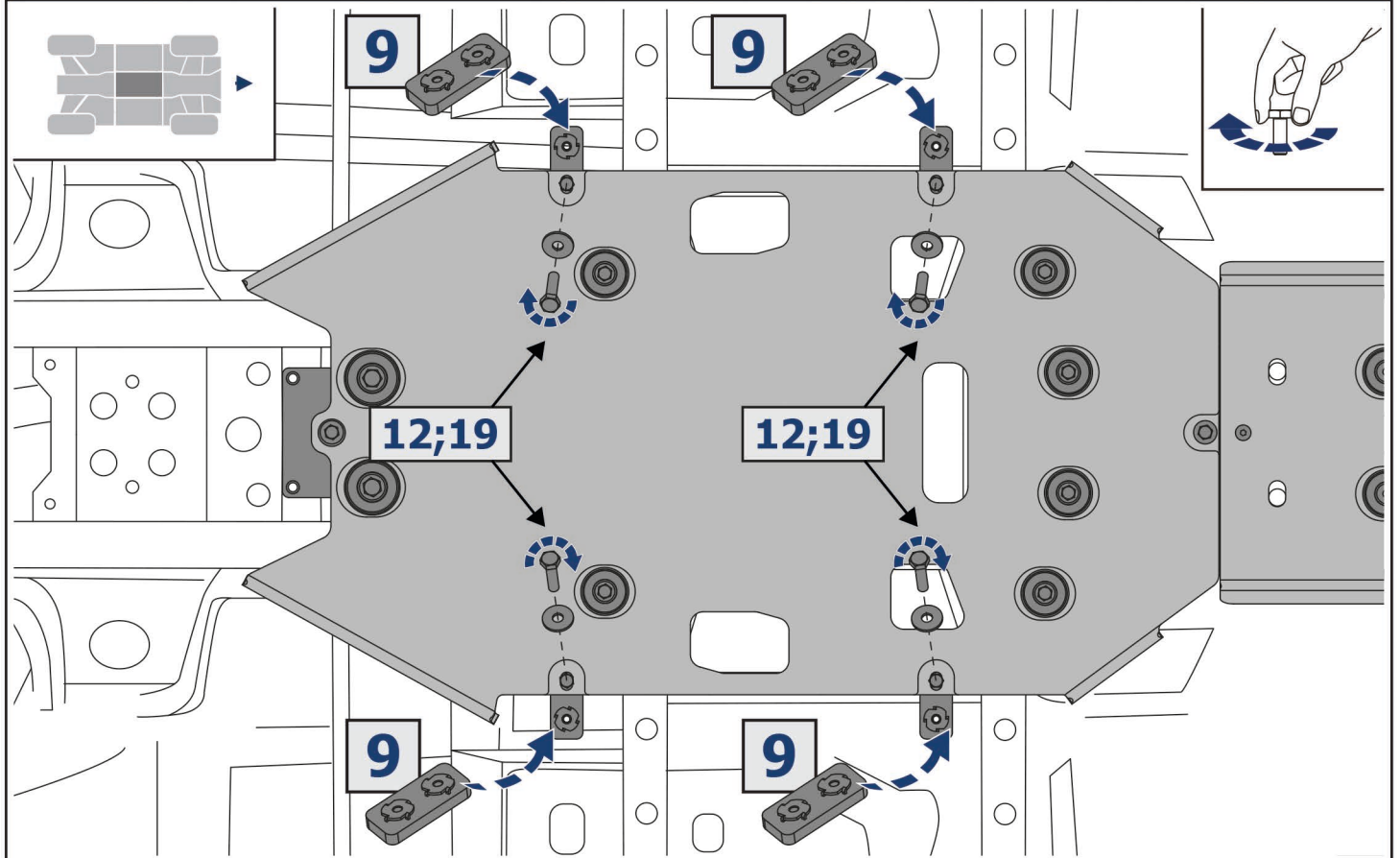
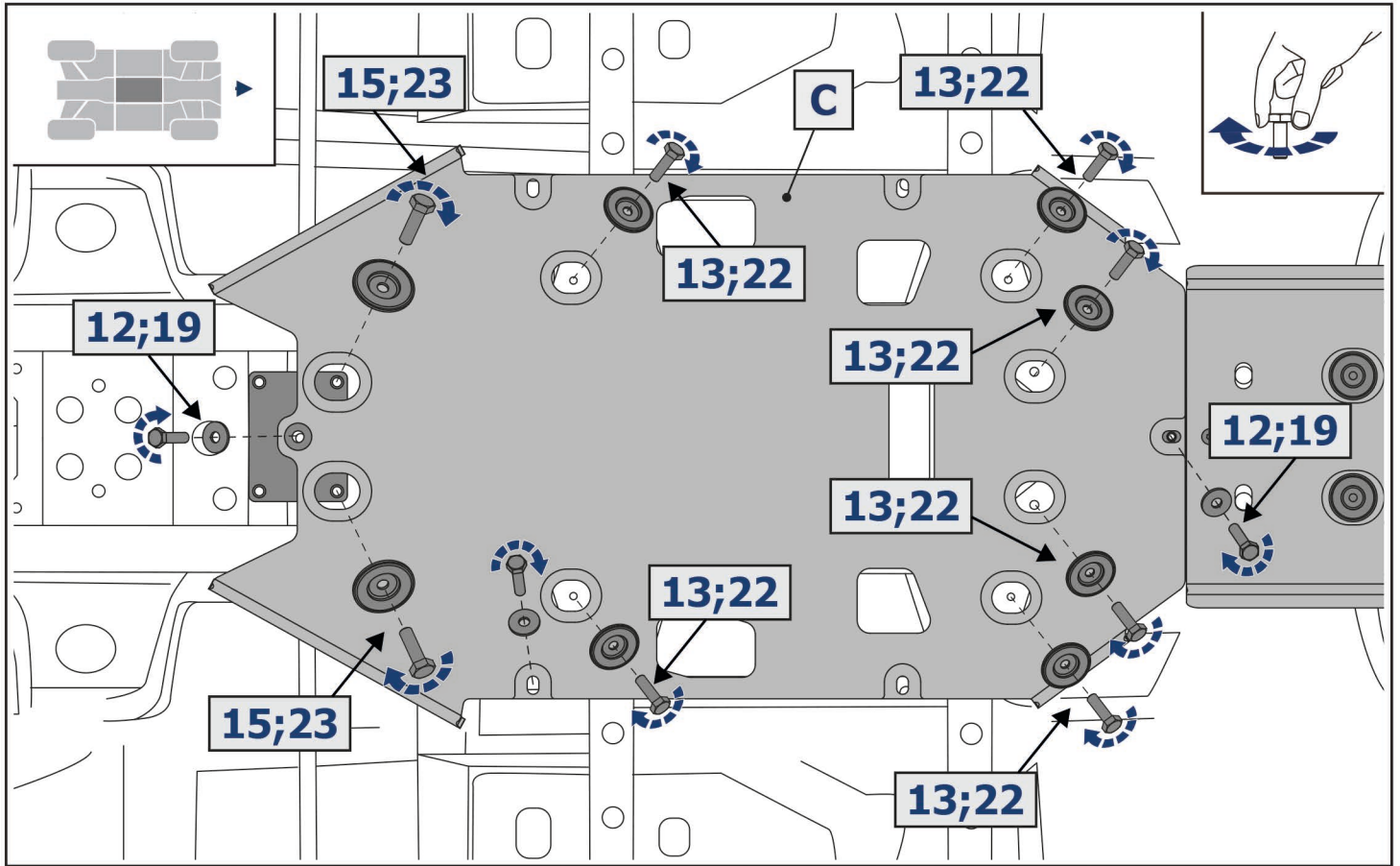


| | | | | | |
|------------------------------------------------------------------------------------------------------------|-----------------------------------------------------------------------------------------------------------|------------------------------------------------------------------------------------------------------------|-----------------------------------------------------------------------------------------------------------|-------------------------------------------------------------------------------------------------------------|----------------------------------------------------------------------------------------------------------|
| 1  x2 | 2  x6 | 3  x2 | 4  x1 | 5  x1 | 6  x1 |
| 7  x2 | 8  x1 | 9  x5 | 10  x4 | 11  x10 | 12  x17 |
| 13  M6x25 x10 | 14  M6x35 x2 | 15  M8x20 x26 | 16  M6x16 x6 | 17  M6x16 x5 | 18  ø6 x6 |
| 19  ø6 x9 | 20  ø8 x6 | 21  ø8 x4 | 22  ø6 x18 | 23  ø8 x16 | |









FOR AODES PATHCROSS 650L/850L/1000L

