

EN DOOR KIT INSTALLATION MANUAL

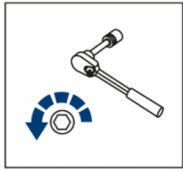
DE MONTAGEEINLEITUNG TÜREN SET



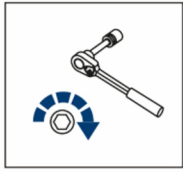
For: Polaris Ranger XP 900 (2013-)
Polaris Ranger XP 1000 (2017)

444.7444.1
2444.7444.1





EN Regular fasteners
DE Originale montageteile



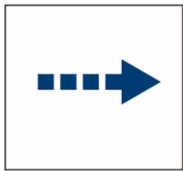
EN Regular fasteners
DE Originale montageteile



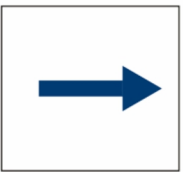
EN Screw a several turns
DE Für wenigen Umdrehungen befestigen



EN Loosen bolts
DE Bolzen lockern



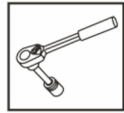
EN Movement Arrow
DE Bewegungsrichtung



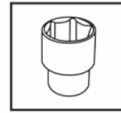
EN Location/Position Arrow
DE Anordnung/Positionsrichtung



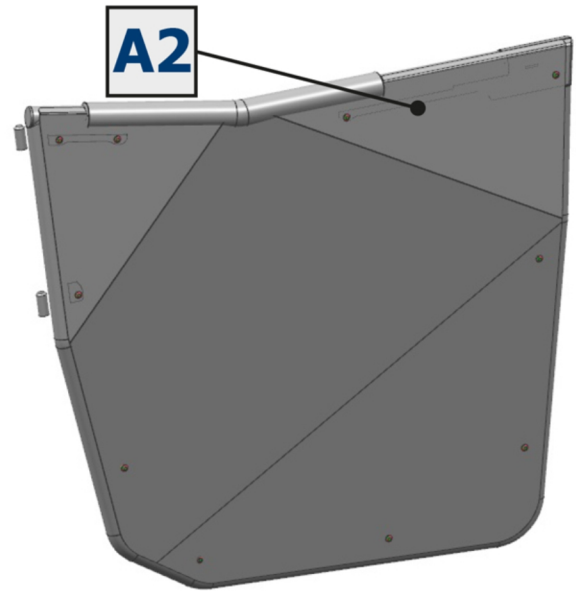
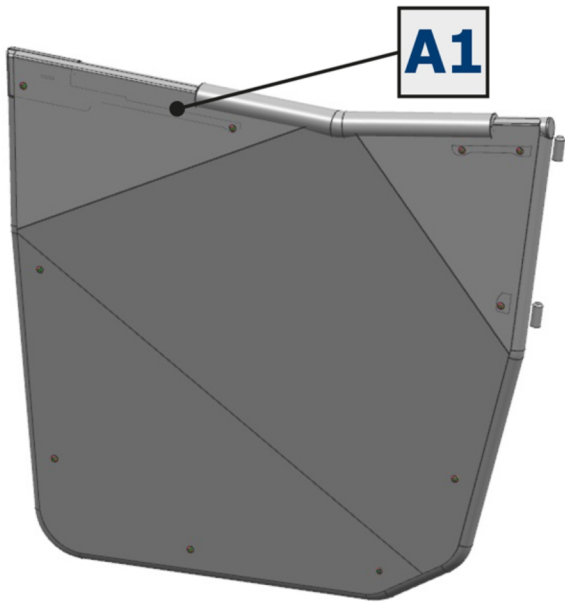
EN Screw Arrow
DE Drehungsrichtung





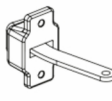




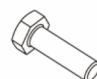








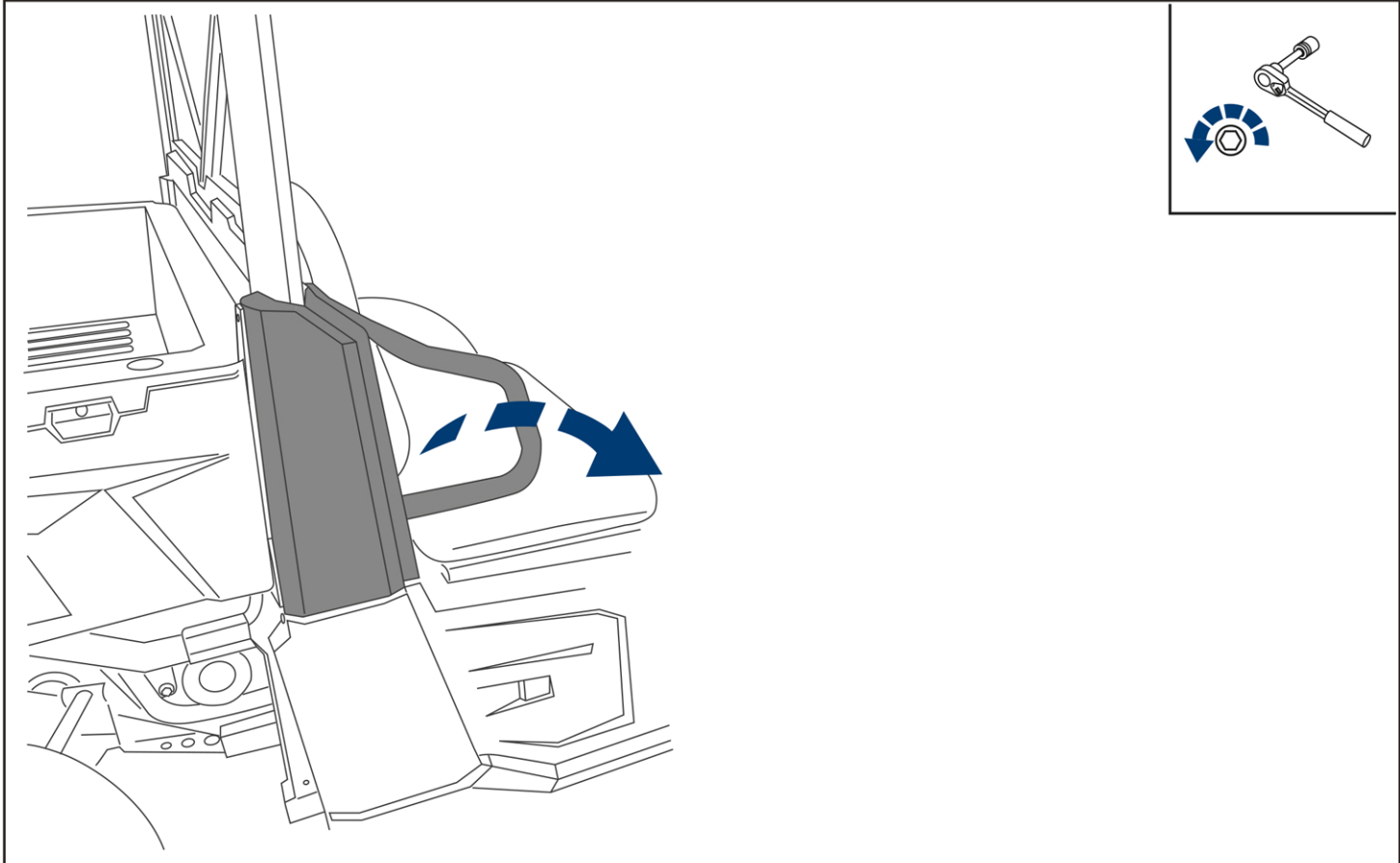
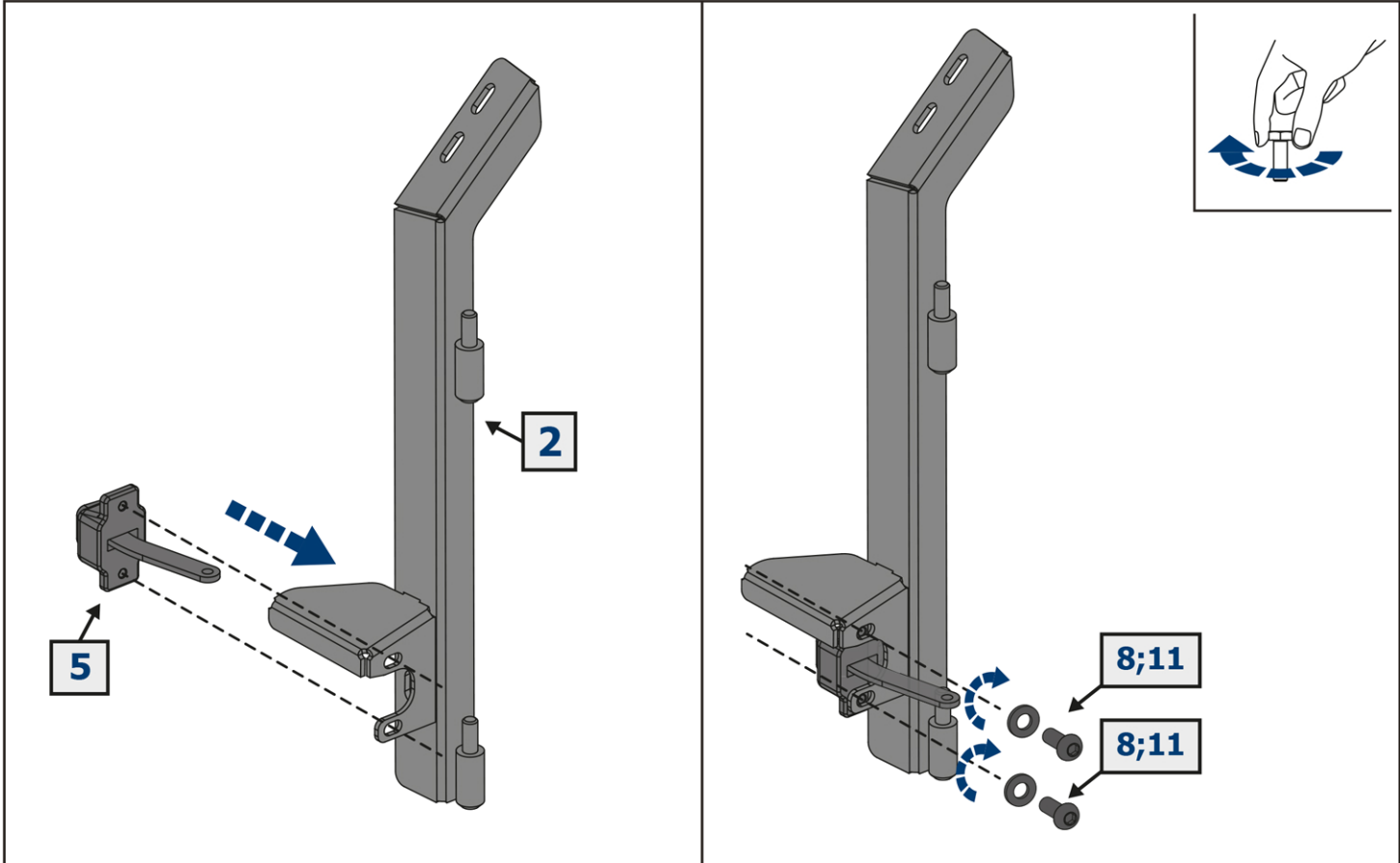
EN Ratchet
DE Ratsche

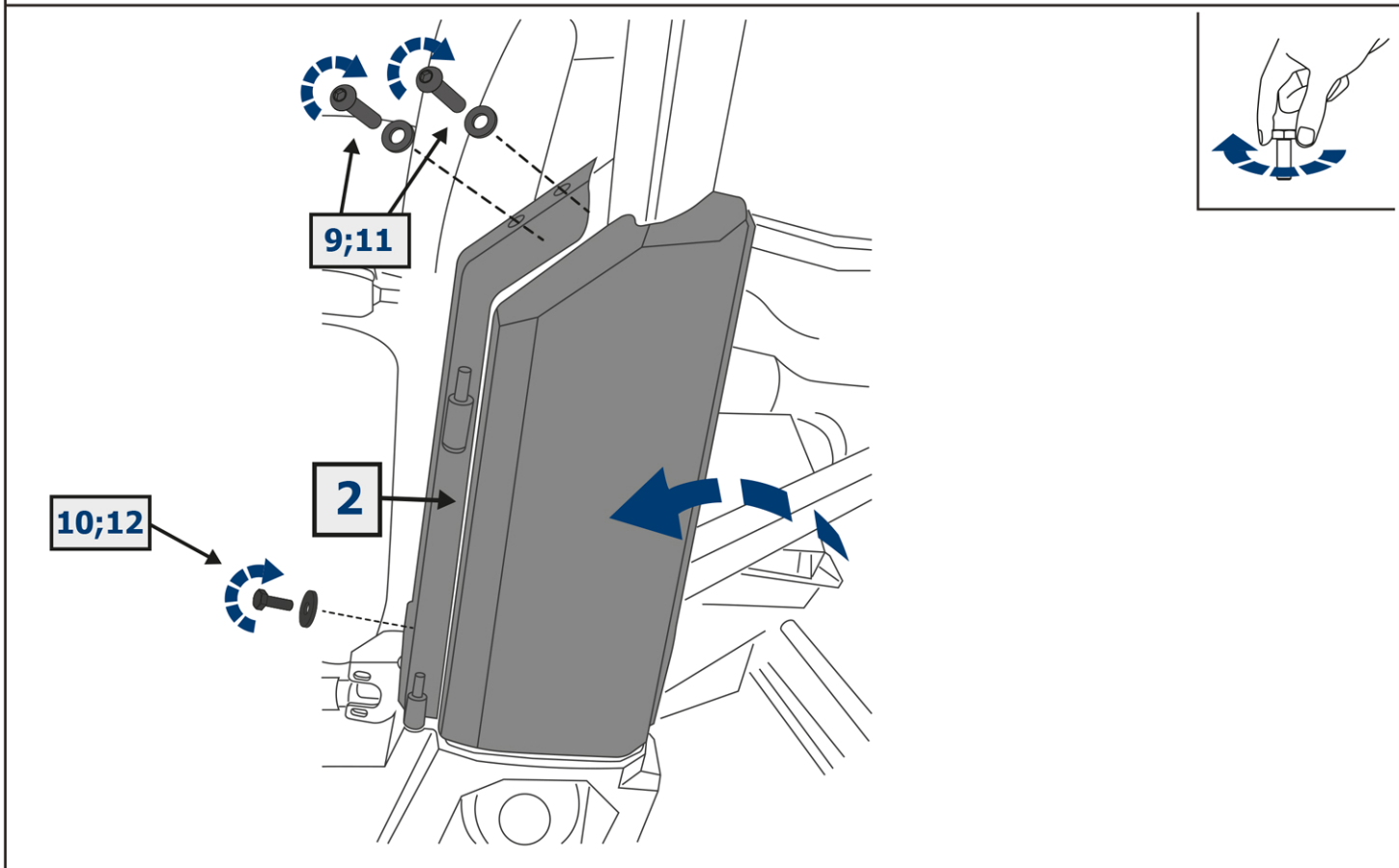
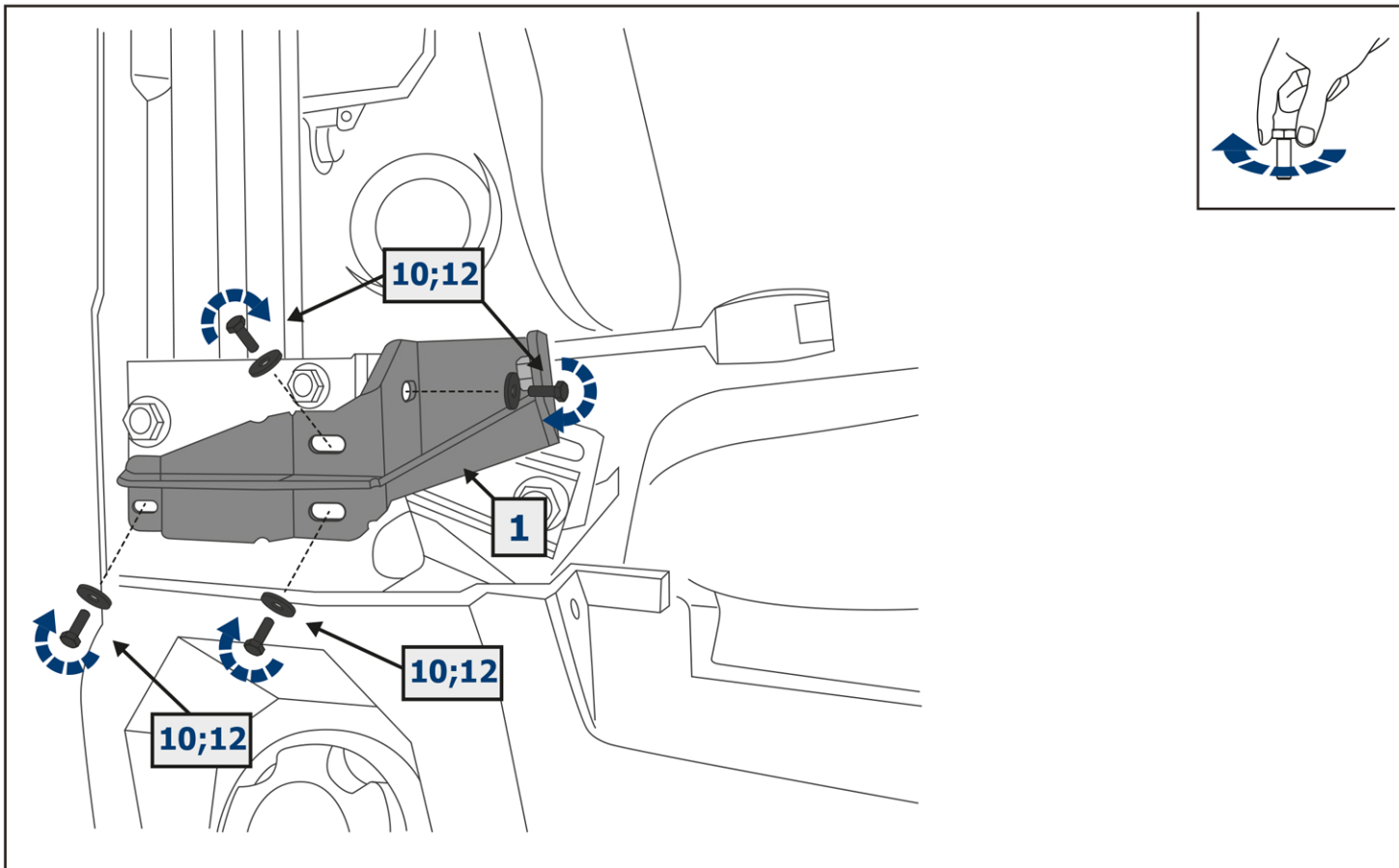


S - 10;
S - 13



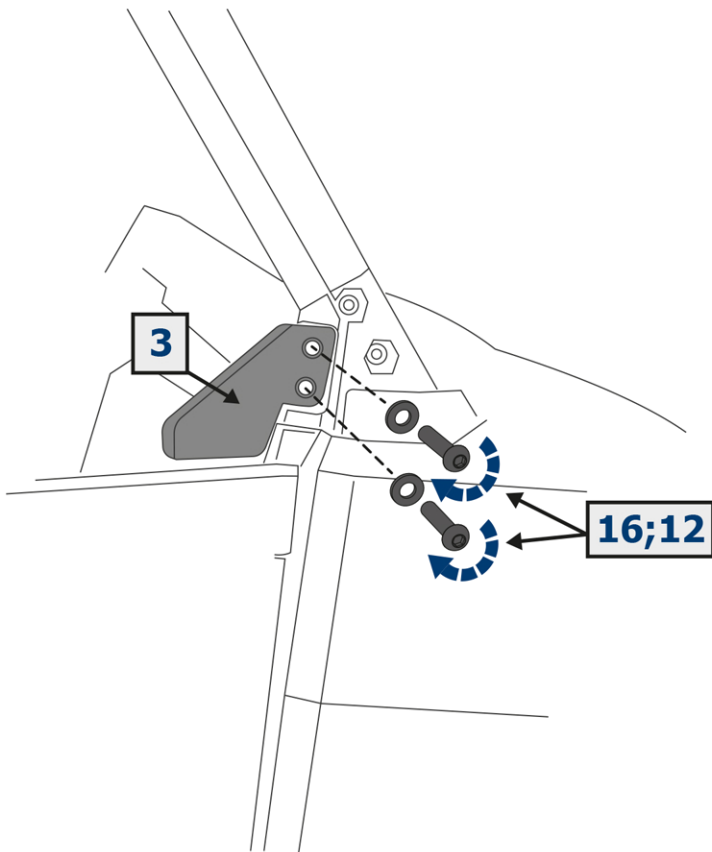
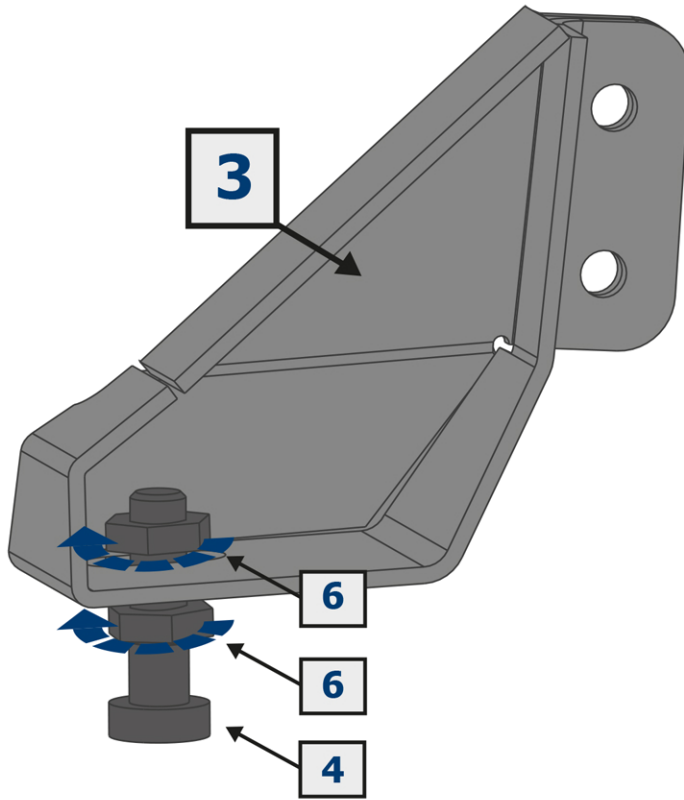
1  x2	2  x2	3  x2	4  x2	5  x2	6  M10 x4
7  M6 x2	8  M6x16 x4	9  M6x30 x4	10  M8x20 x10	11  Ø6 x22	12  Ø8 x12
13  M6x20 x2	14  x10	15  x10	16  M8x20 x4		

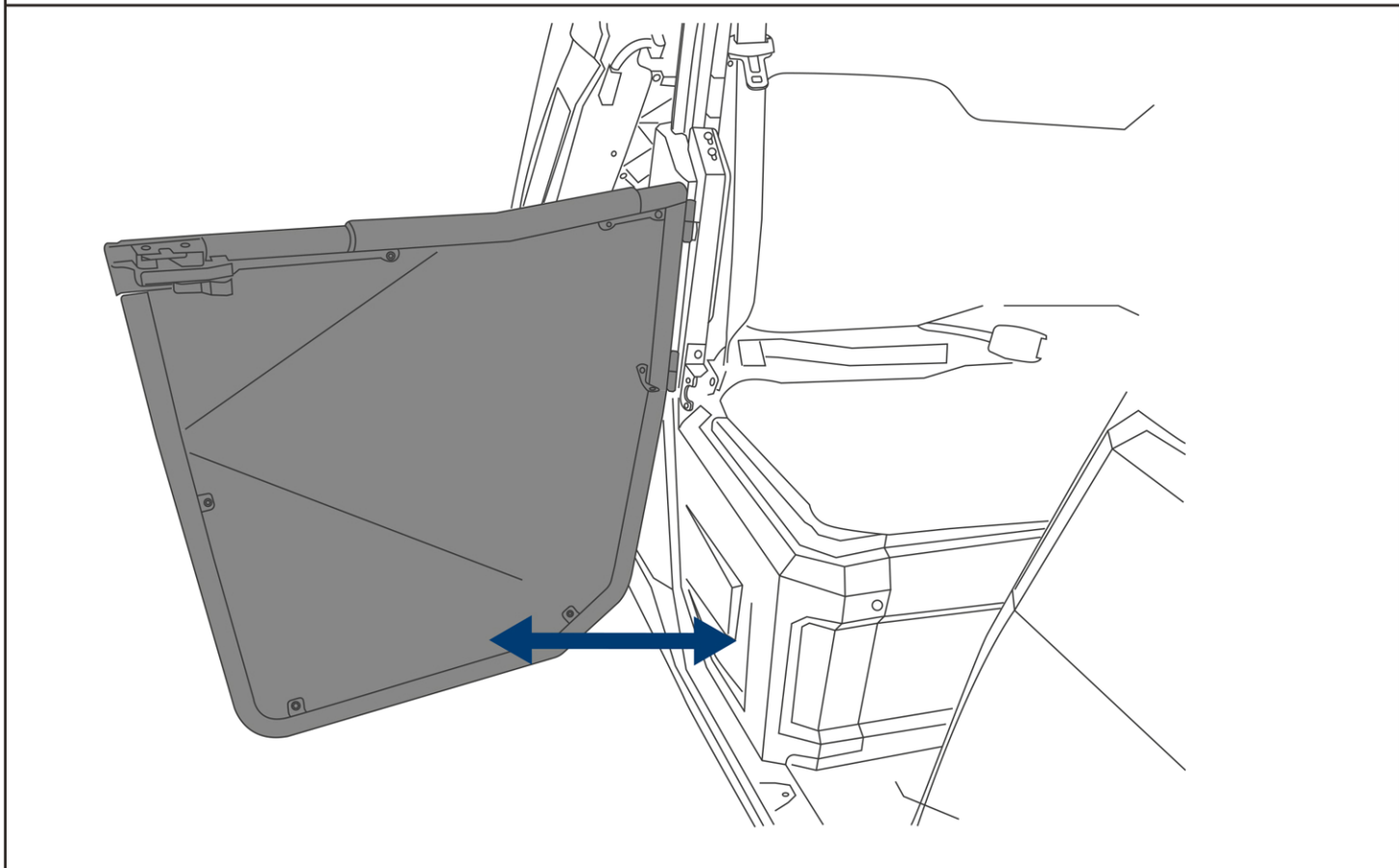
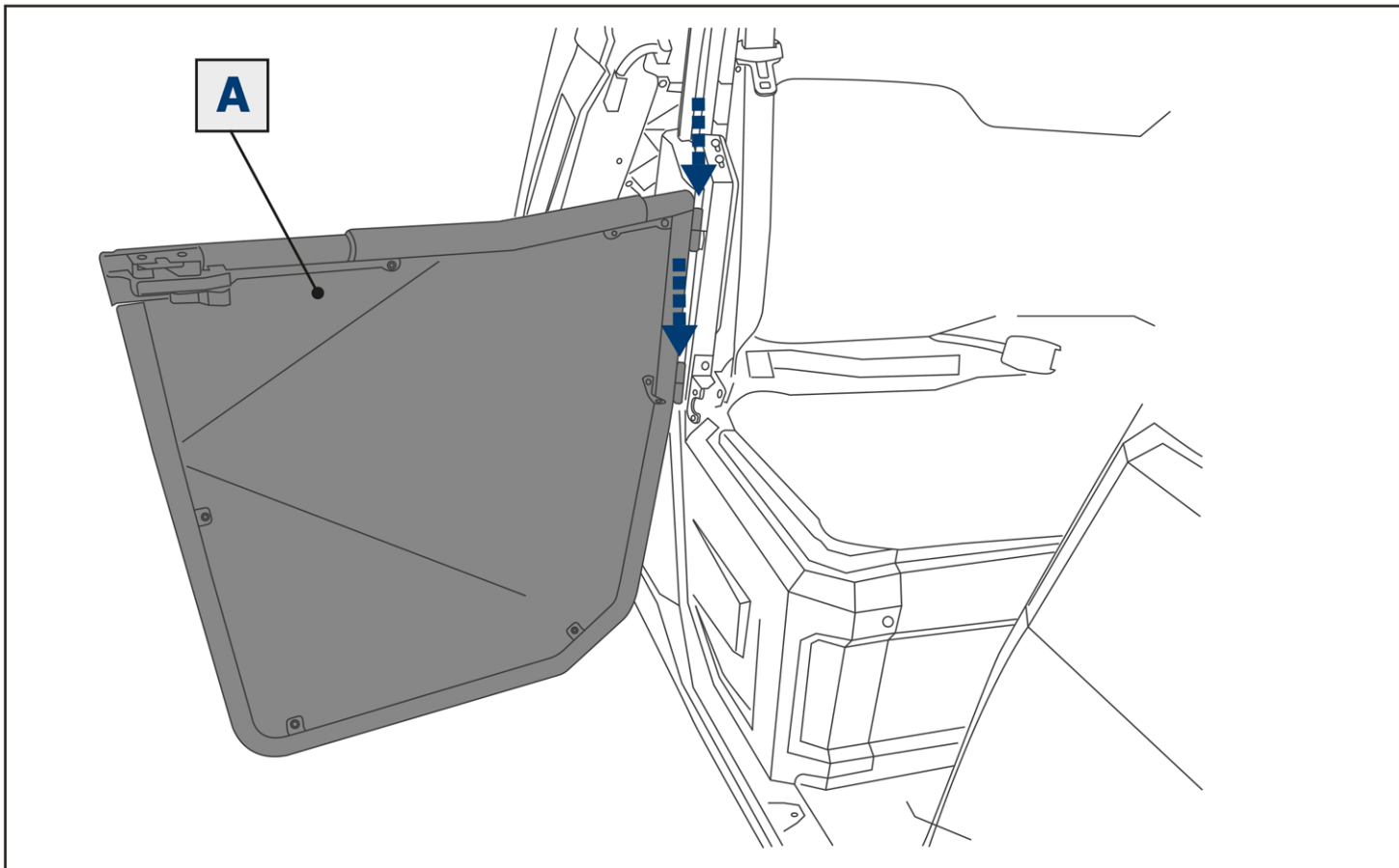


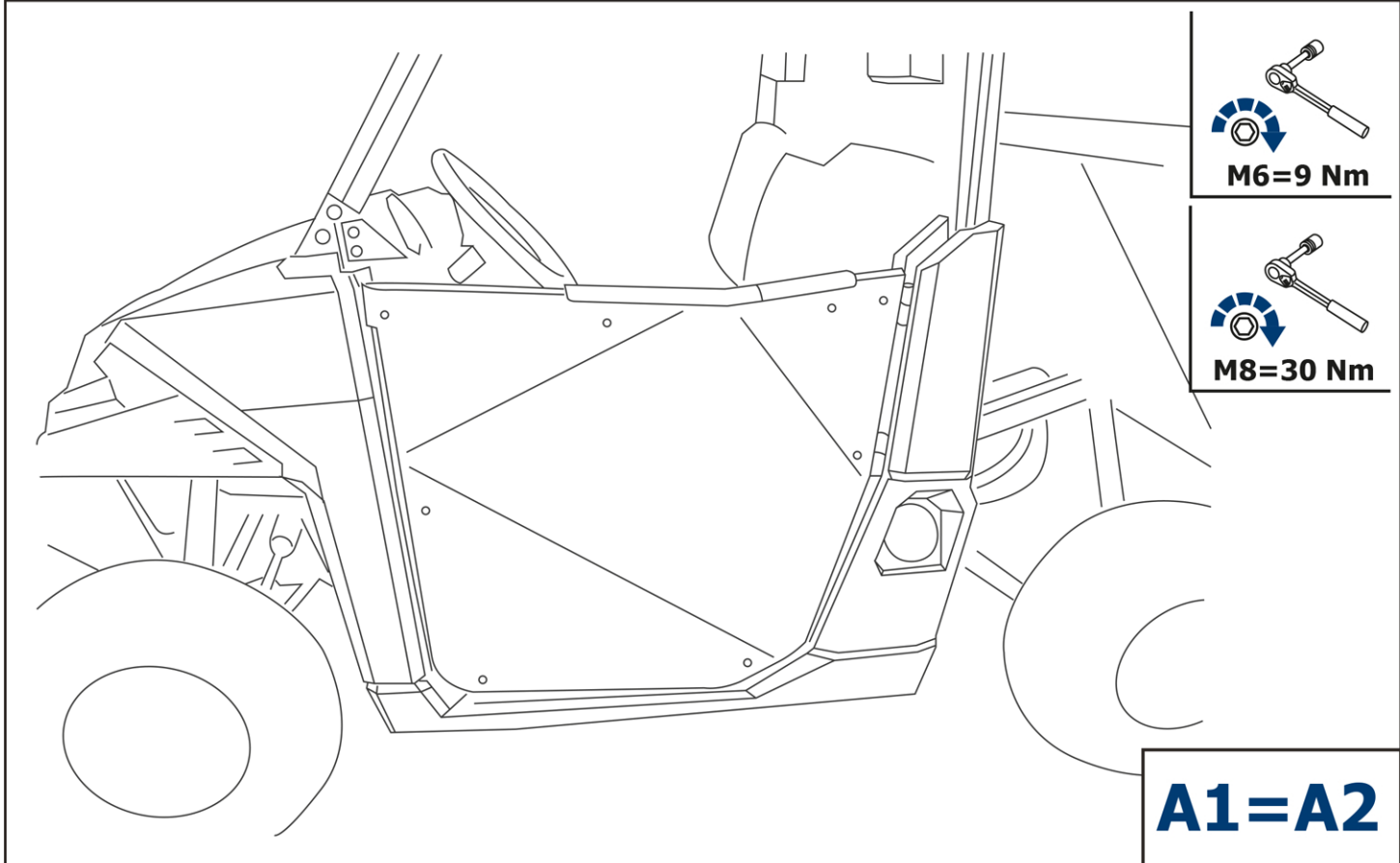
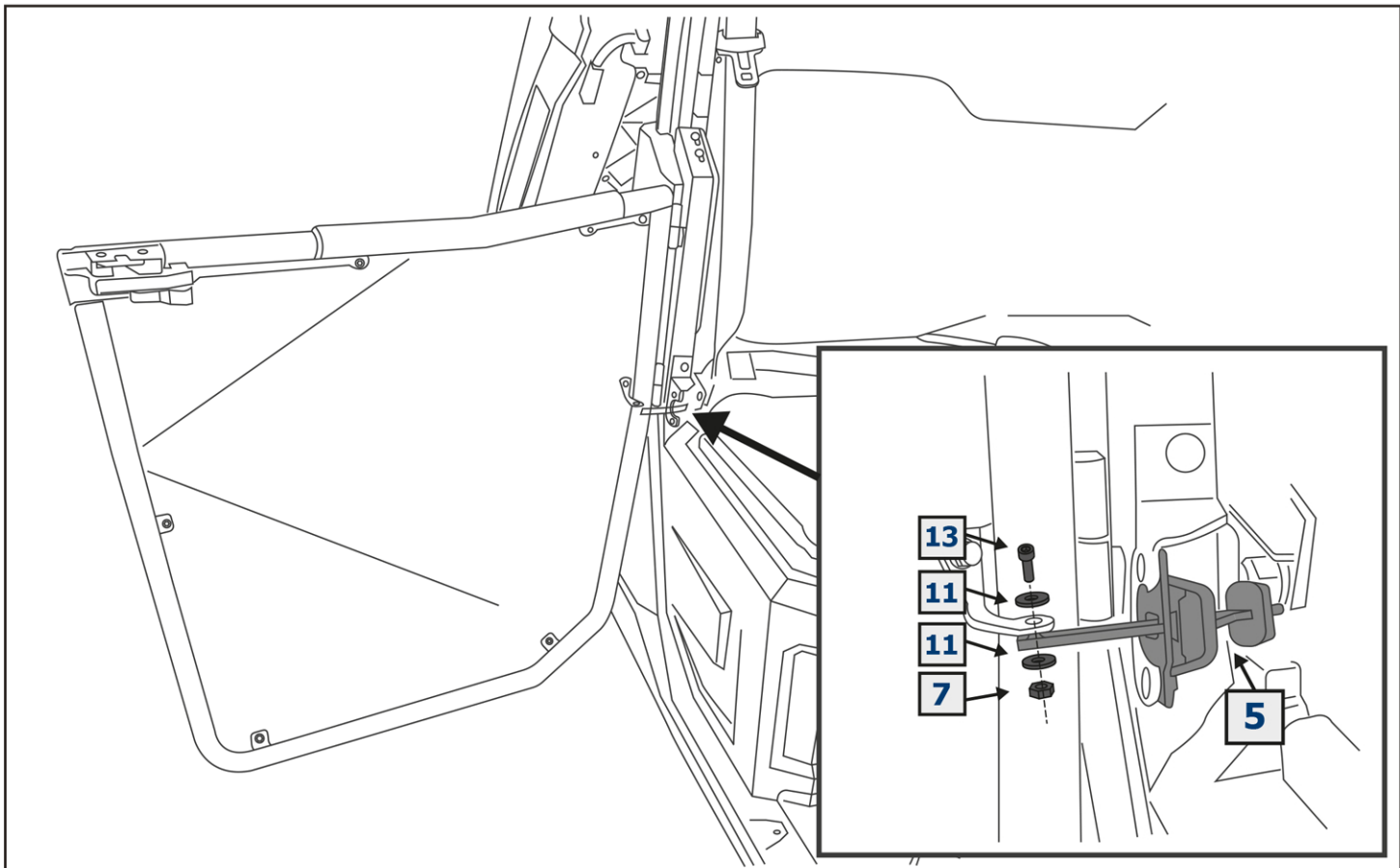




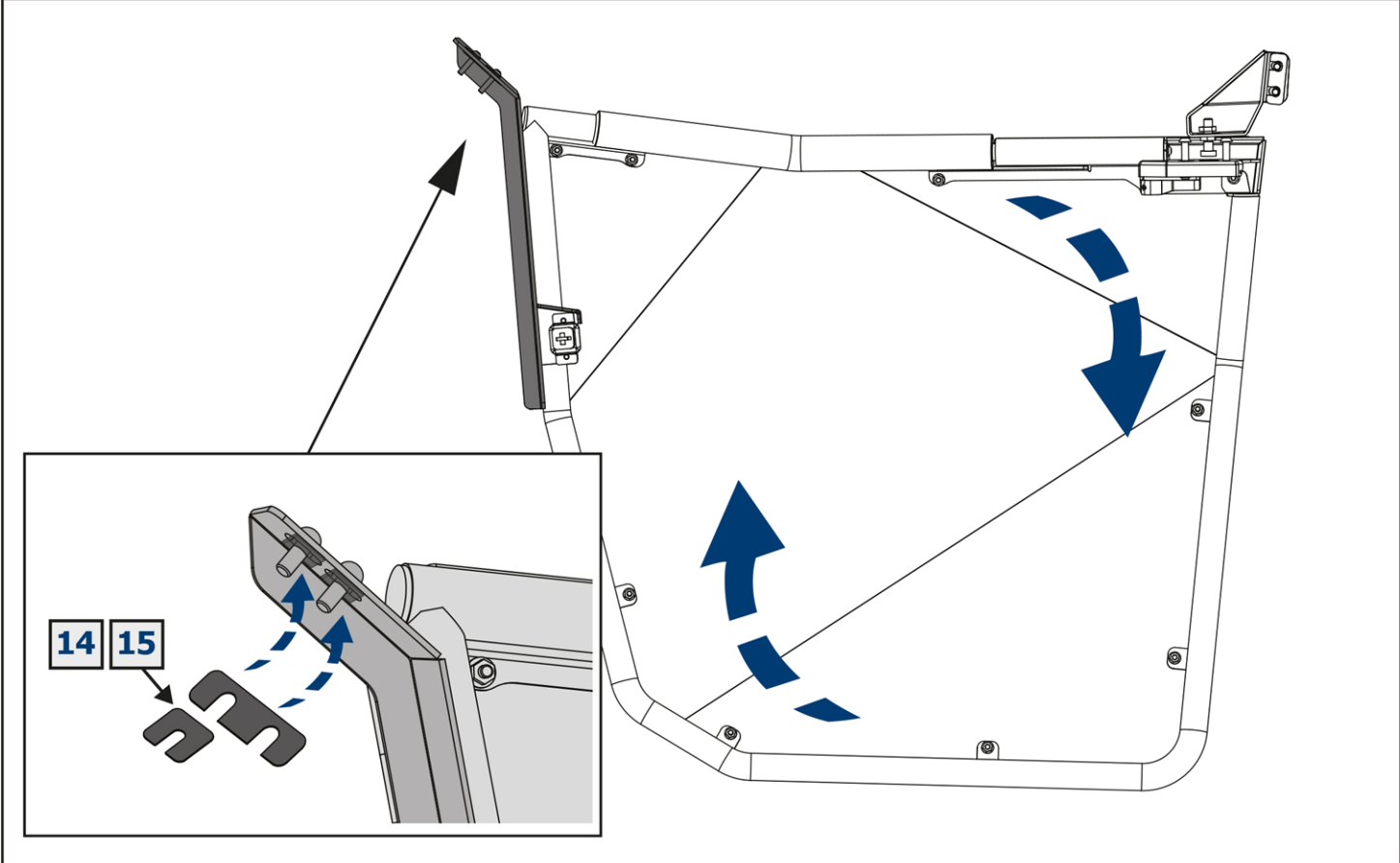
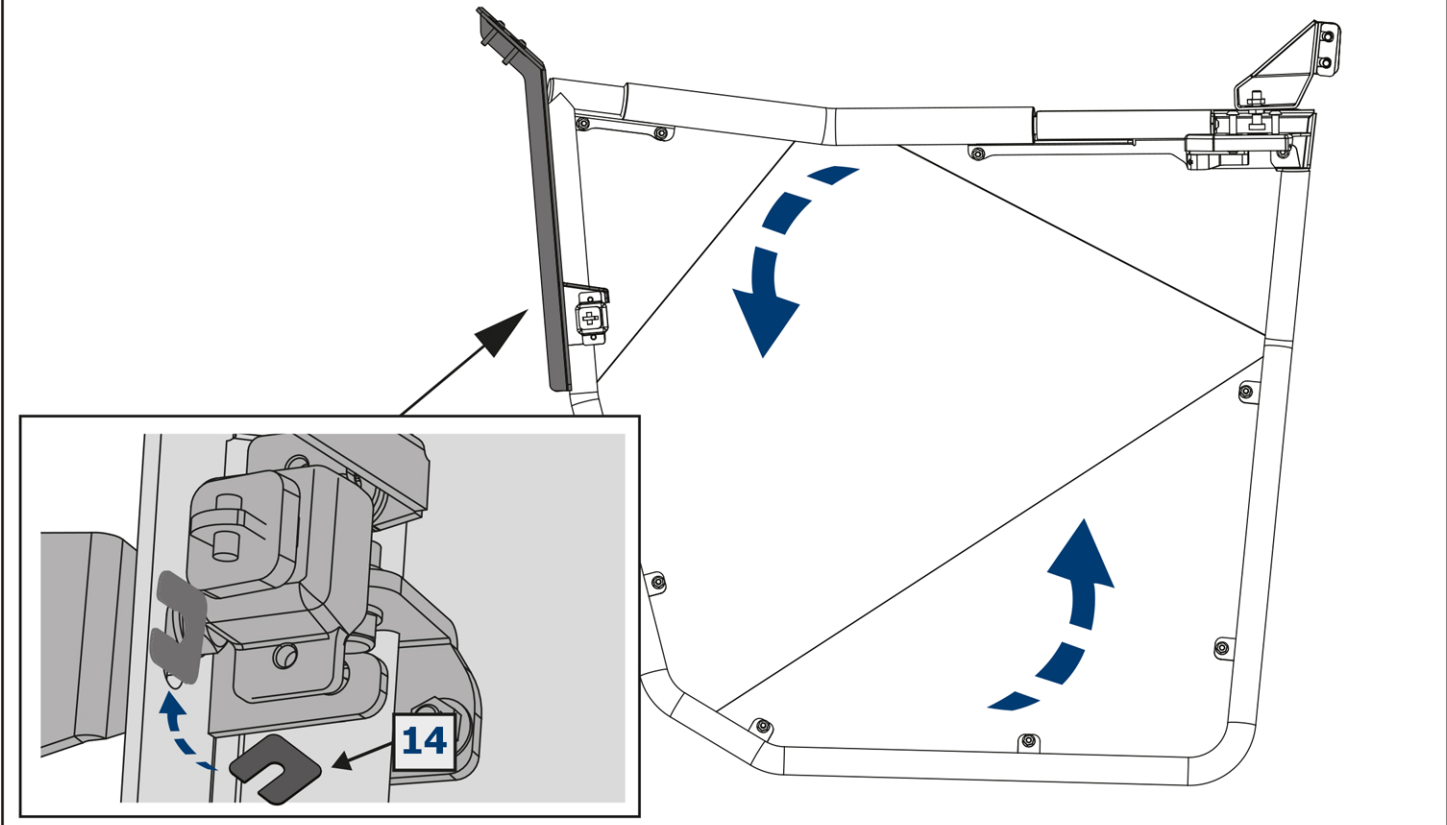
M10







DOOR TILT ADJUSTMENT - ALTERNATE PACKER INSTALLATION LOCATIONS



DOOR POSITION ADJUSTMENT - PACKER INSTALLATION AT BOTH LOCATIONS

