

EN DOOR KIT INSTALLATION MANUAL

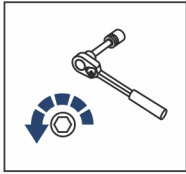
DE MONTAGEEINLEITUNG TÜREN SET



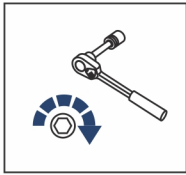
**For: BRP Can-Am Defender/Traxter (2016-)**

2444.7266.1  
444.7266.1

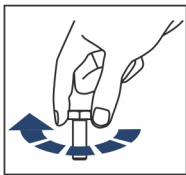




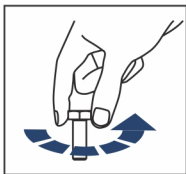
EN Regular fasteners  
DE Schraube herausdrehen



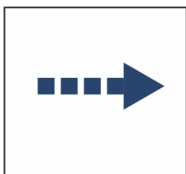
EN Regular fasteners  
DE Schraube eindrehen und festziehen



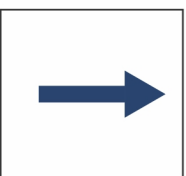
EN Screw a several turns  
DE Schraube wenige Umdrehungen eindrehen



EN Loosen bolts  
DE Schraube wenige Umdrehungen lösen



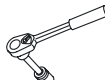
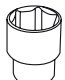
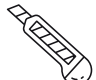
EN Movement Arrow  
DE Bewegungsrichtung

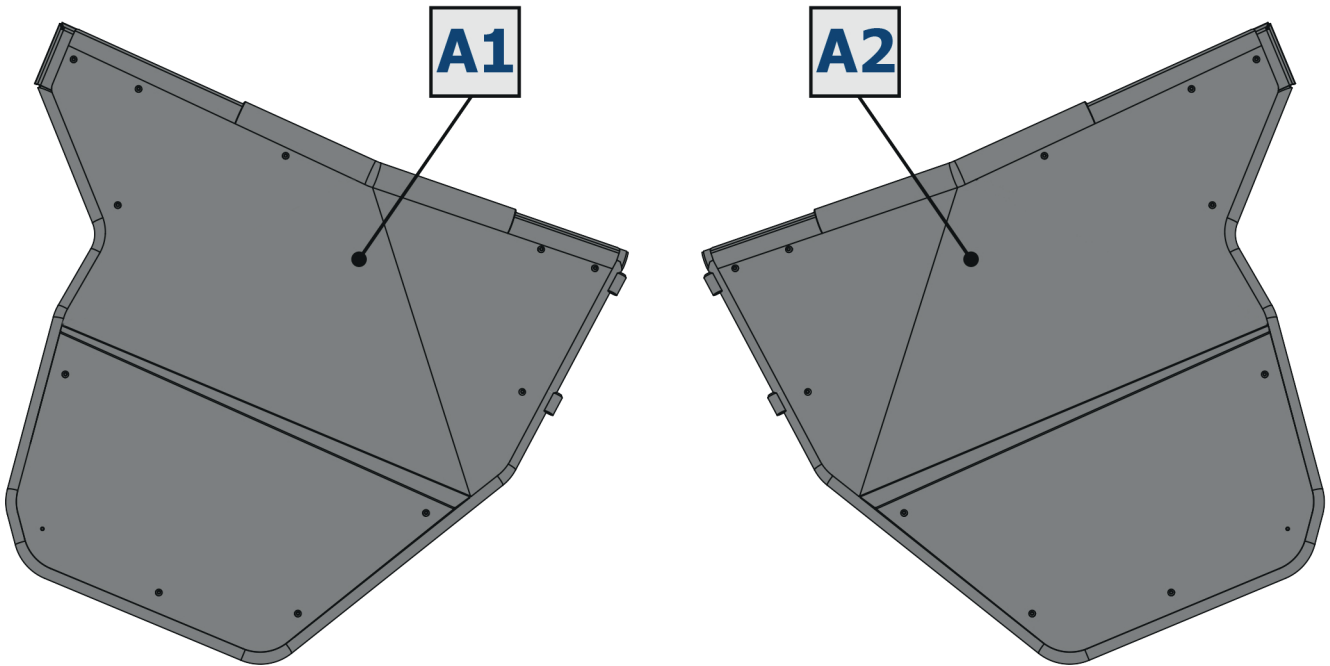


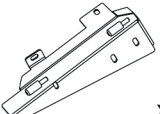
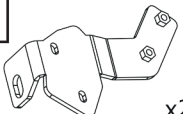
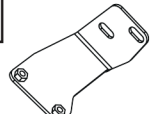
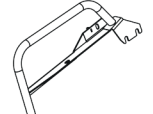

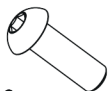
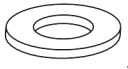

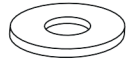
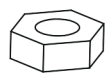
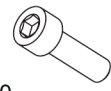
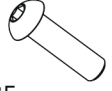
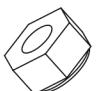
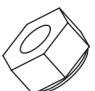

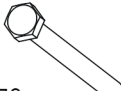
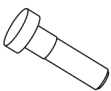

EN Location/Position Arrow  
DE Blickrichtung / Postionsrichtung

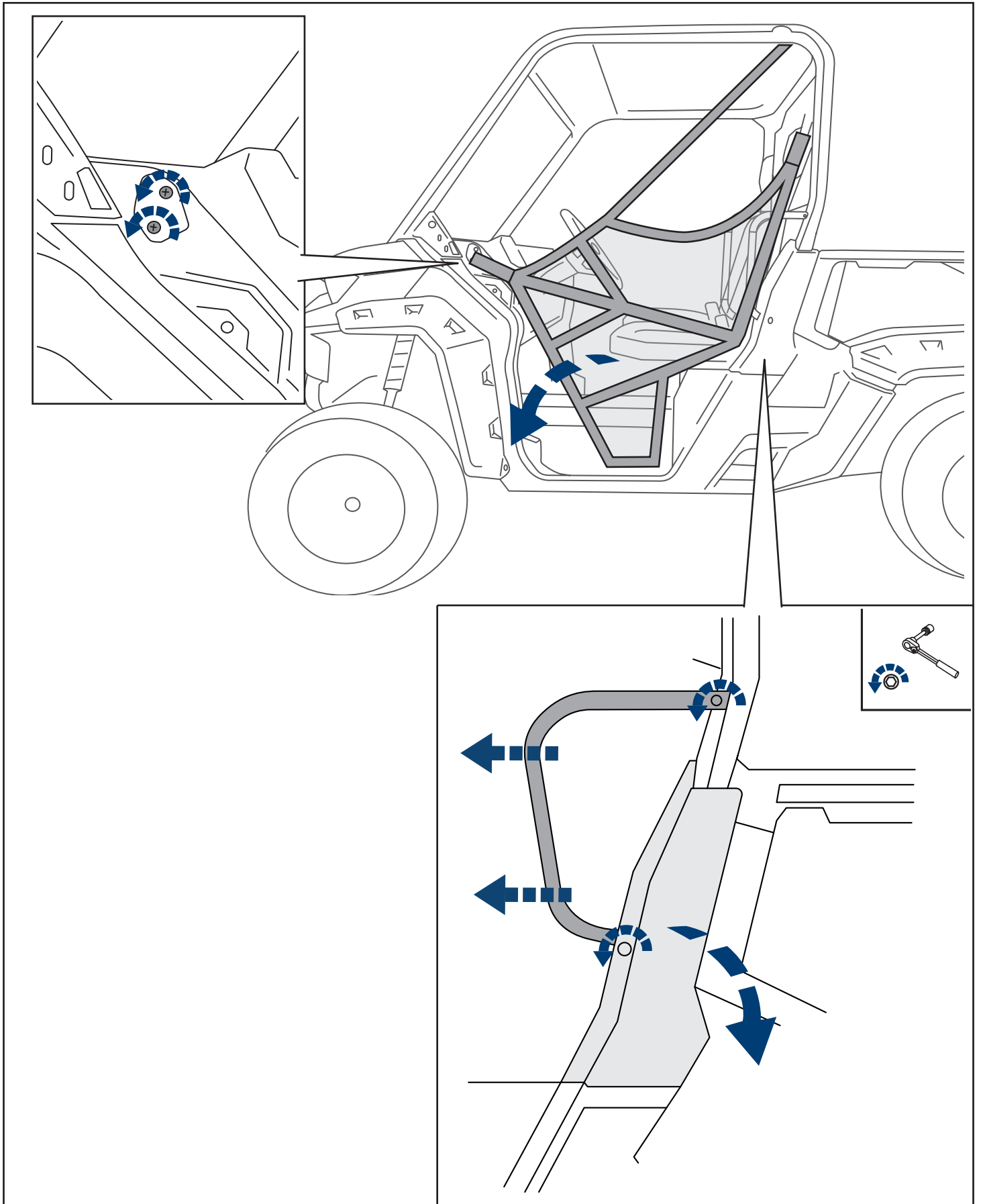


EN Screw Arrow  
DE Drehrichtung

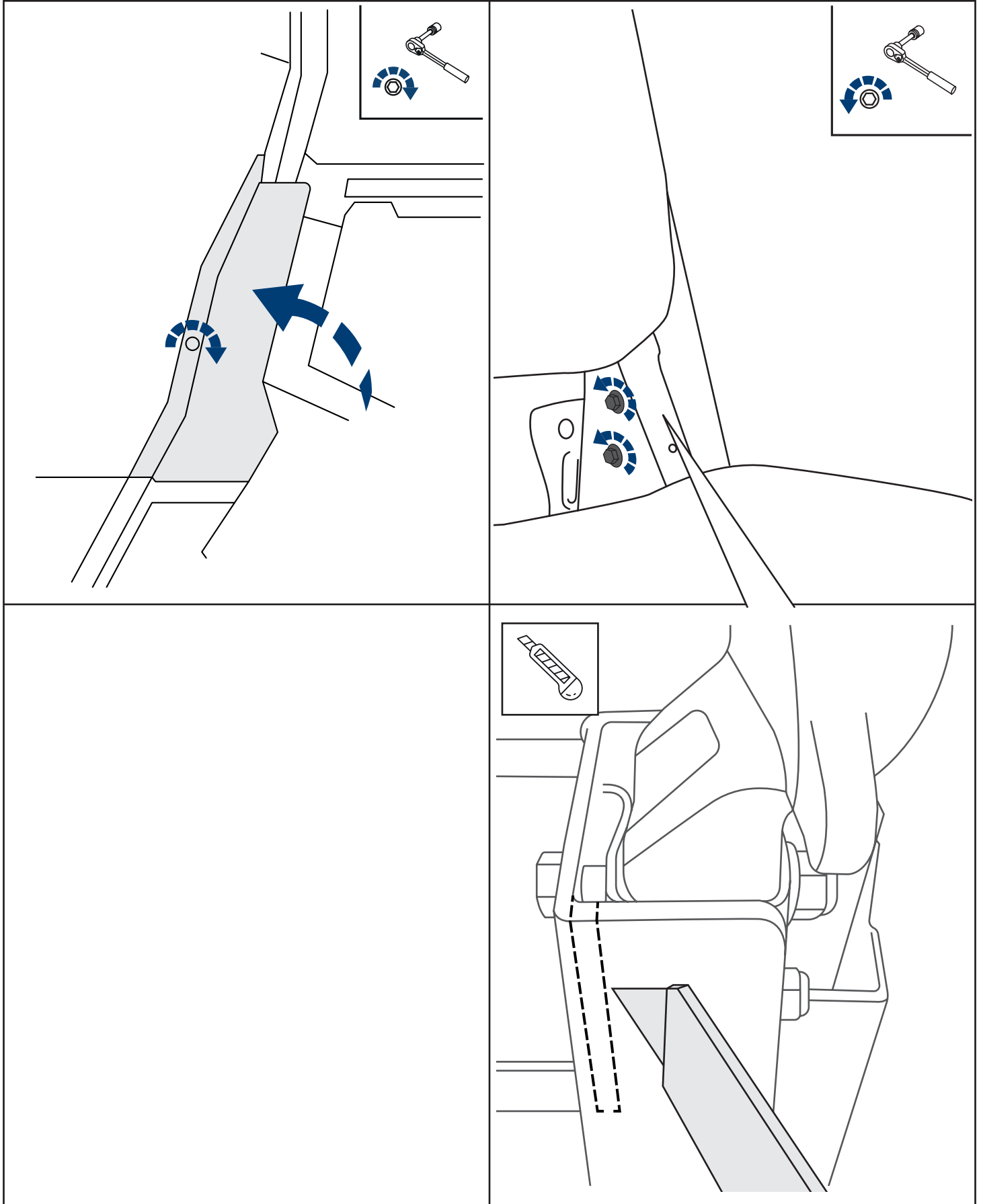
 <p>EN Ratchet DE Ratsche</p>	 <p>S - 10; S - 17</p>	 <p>EN Office Knife DE Büromesser</p>
--------------------------------------------------------------------------------------------------------------------	-------------------------------------------------------------------------------------------------------------	-----------------------------------------------------------------------------------------------------------------------------

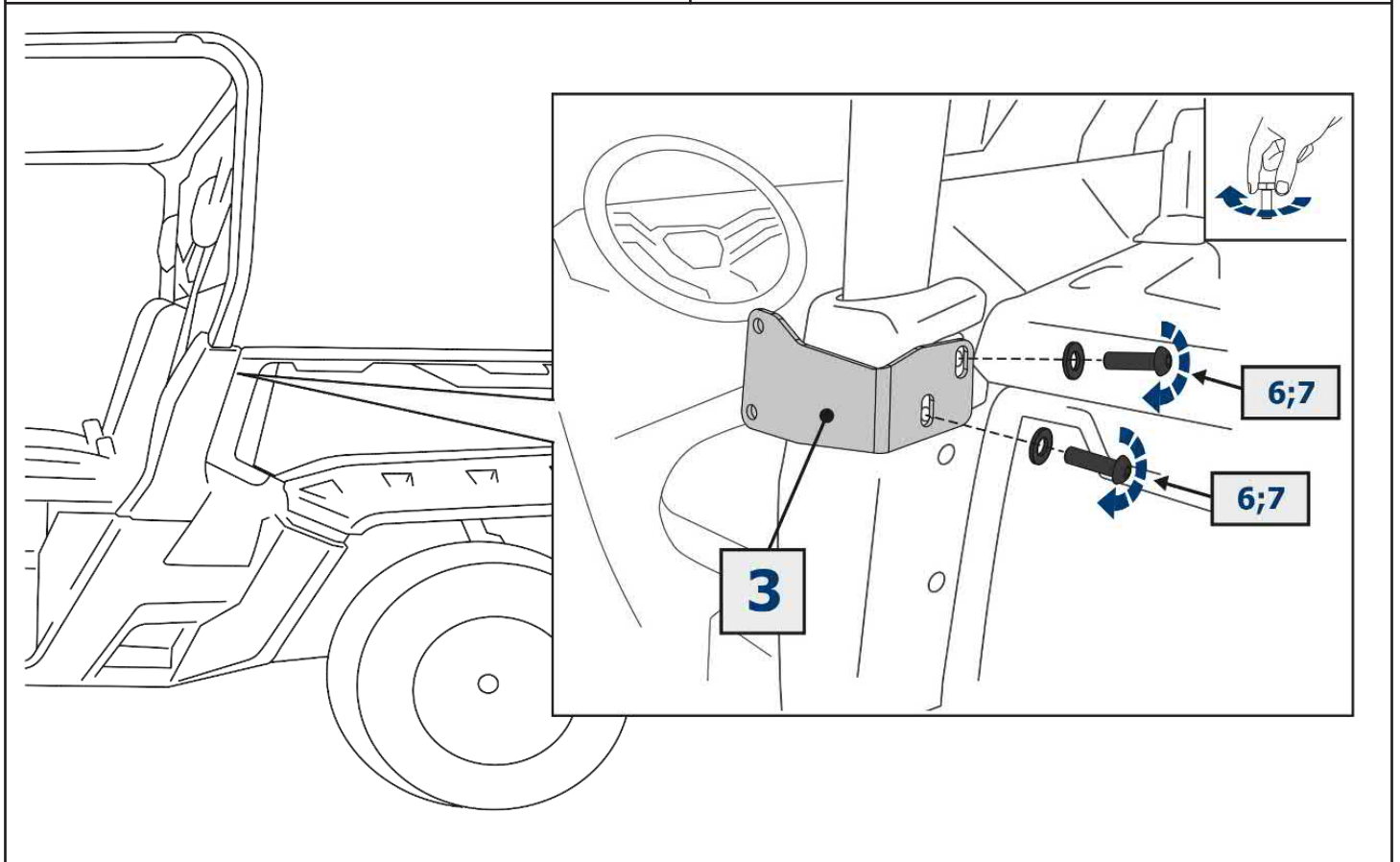
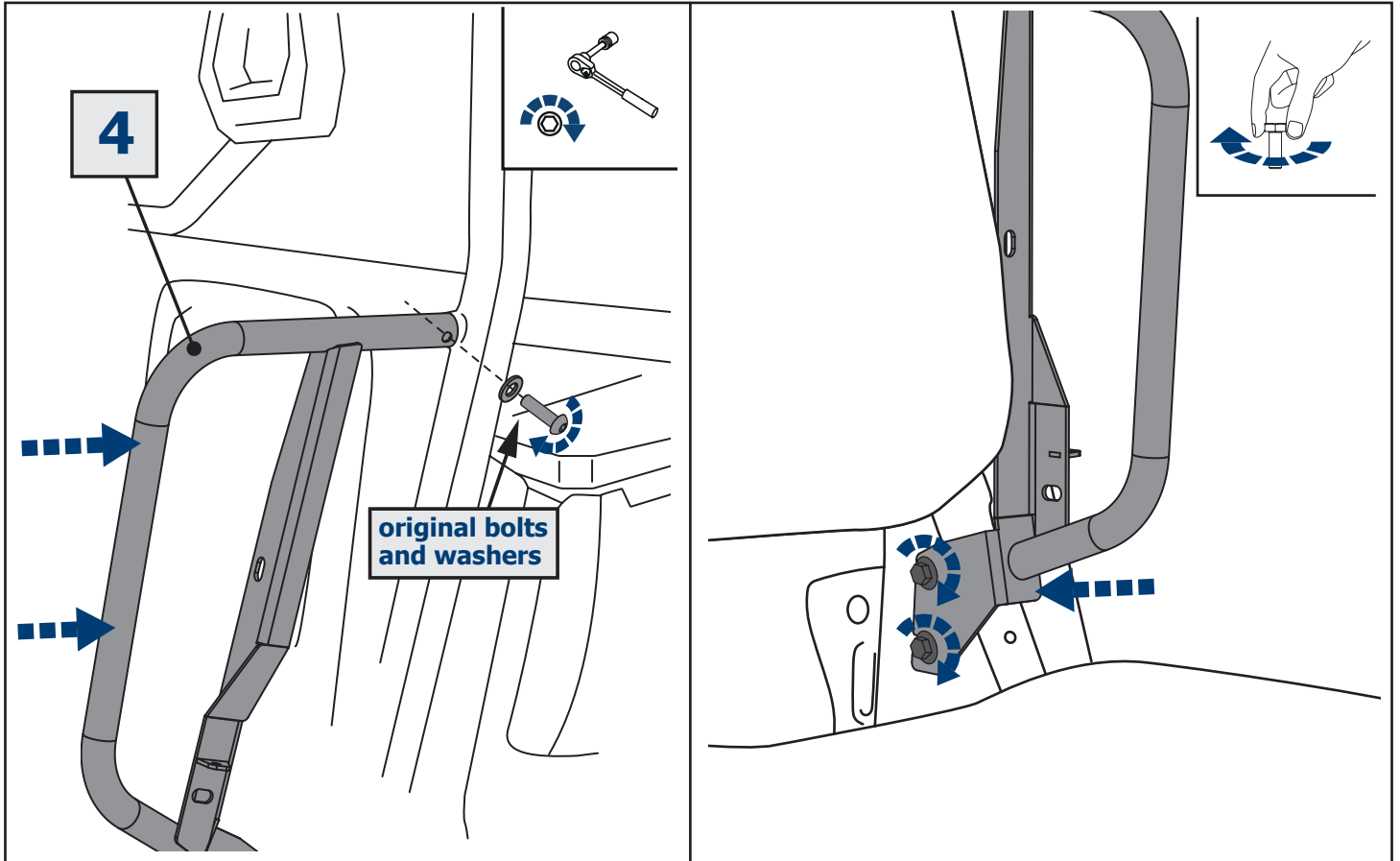


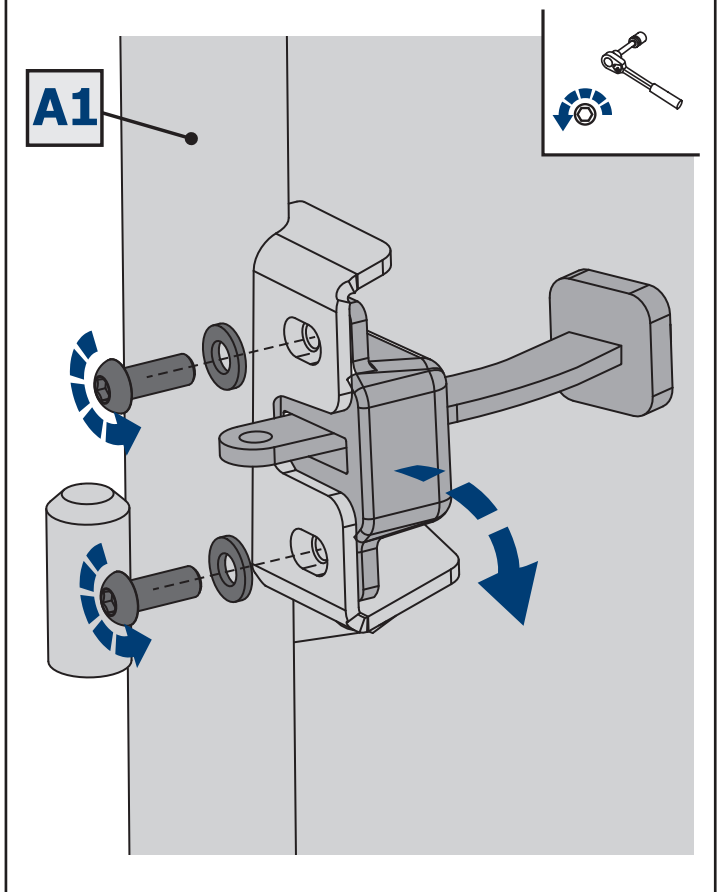
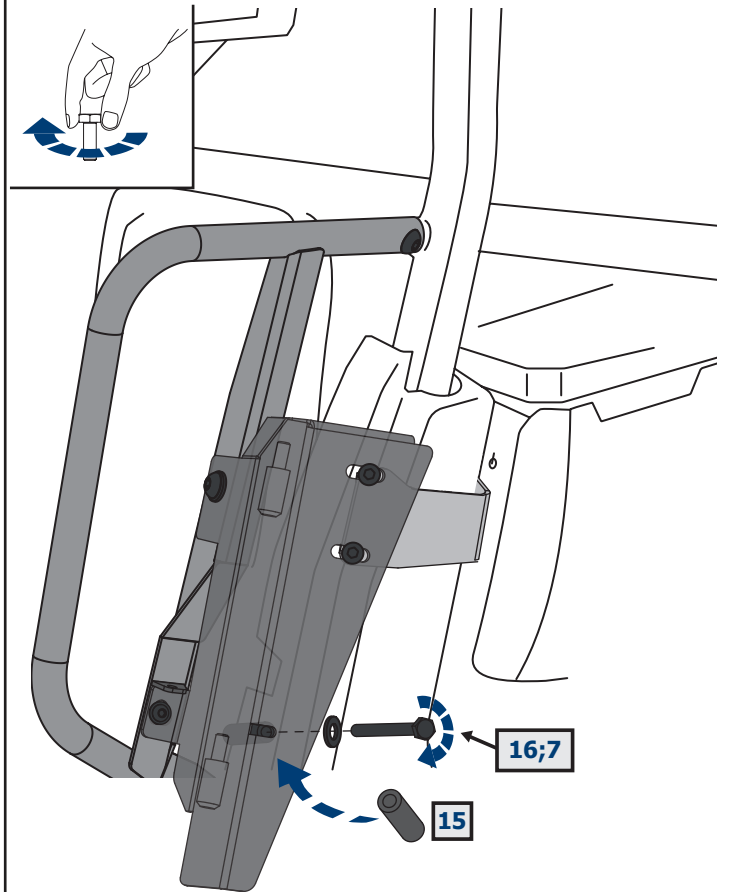
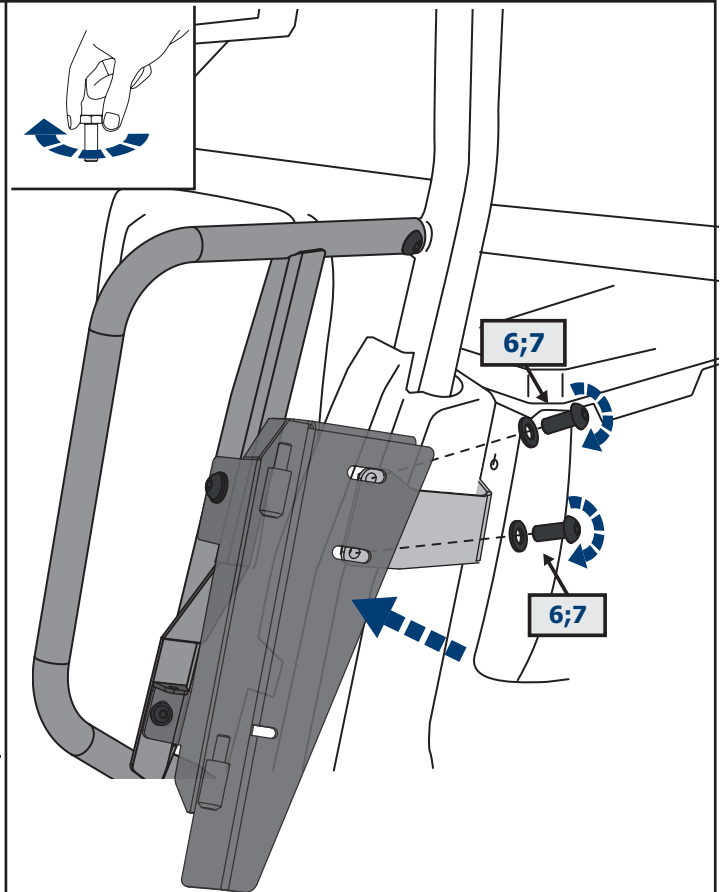
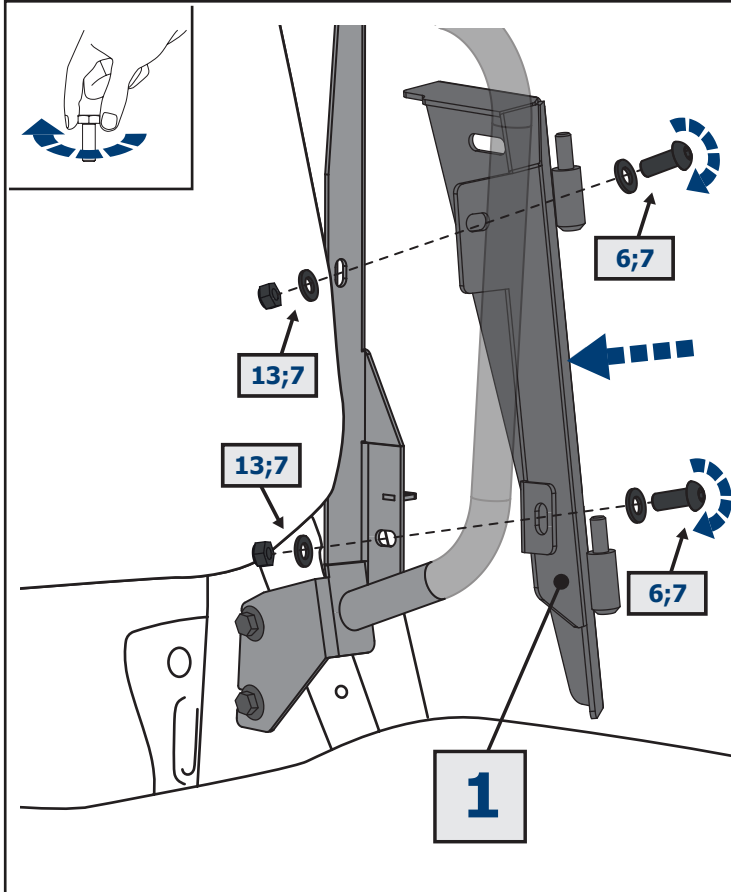
<p><b>1</b></p>  <p>x2</p>	<p><b>2</b></p>  <p>x2</p>	<p><b>3</b></p>  <p>x2</p>	<p><b>4</b></p>  <p>x2</p>	<p><b>5</b></p>  <p>M6x16 x4</p>	<p><b>6</b></p>  <p>M8x20 x12</p>
<p><b>7</b></p>  <p>Ø8 x16</p>	<p><b>8</b></p>  <p>Ø6 x8</p>	<p><b>9</b></p>  <p>Ø6 x4</p>	<p><b>10</b></p>  <p>M10 x4</p>	<p><b>11</b></p>  <p>M6x20 x2</p>	<p><b>12</b></p>  <p>M6x35 x2</p>
<p><b>13</b></p>  <p>M8 x4</p>	<p><b>14</b></p>  <p>M6 x4</p>	<p><b>15</b></p>  <p>x2</p>	<p><b>16</b></p>  <p>M6x70 x2</p>	<p><b>17</b></p>  <p>x2</p>	<p><b>18</b></p>  <p>x10</p>

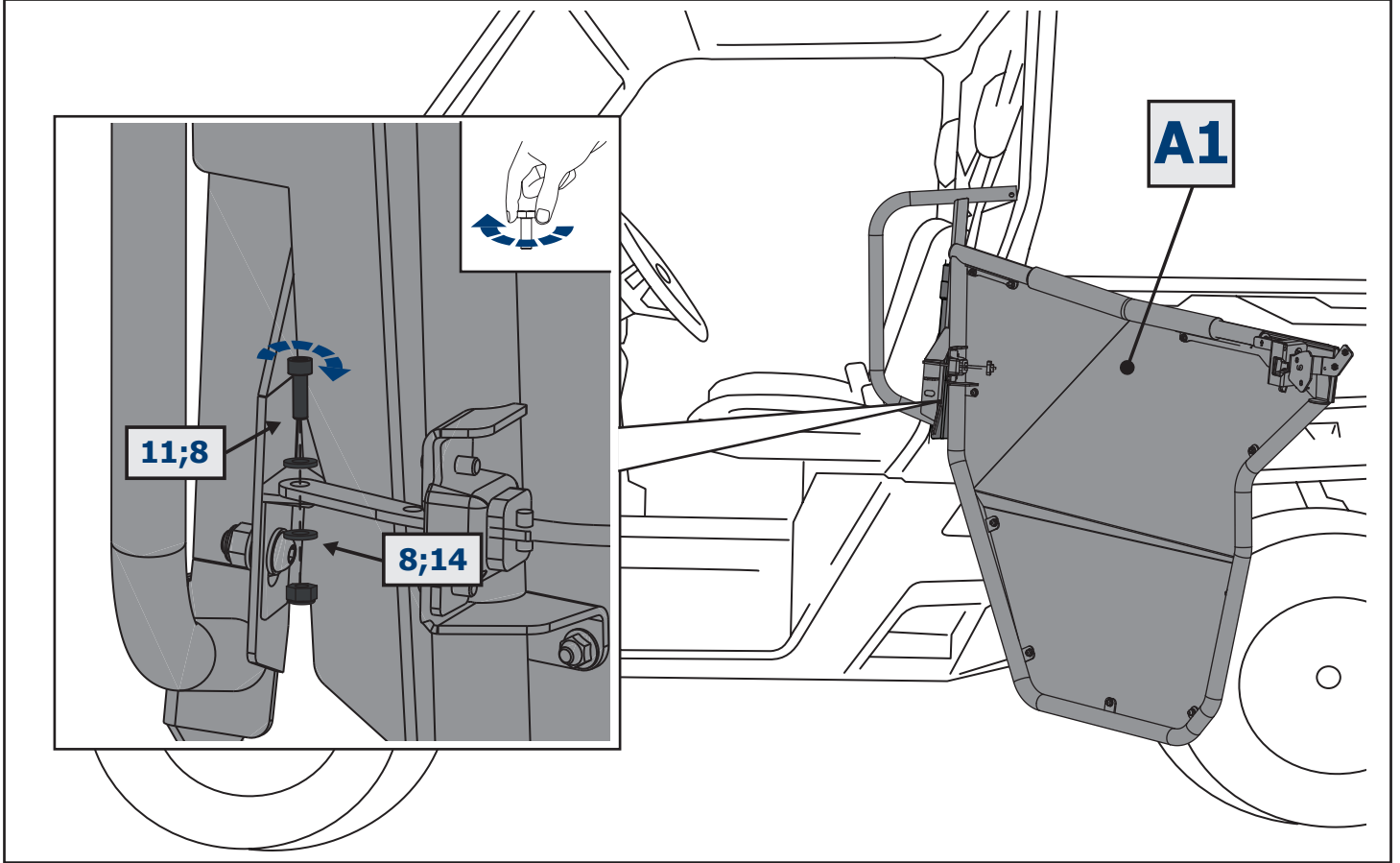
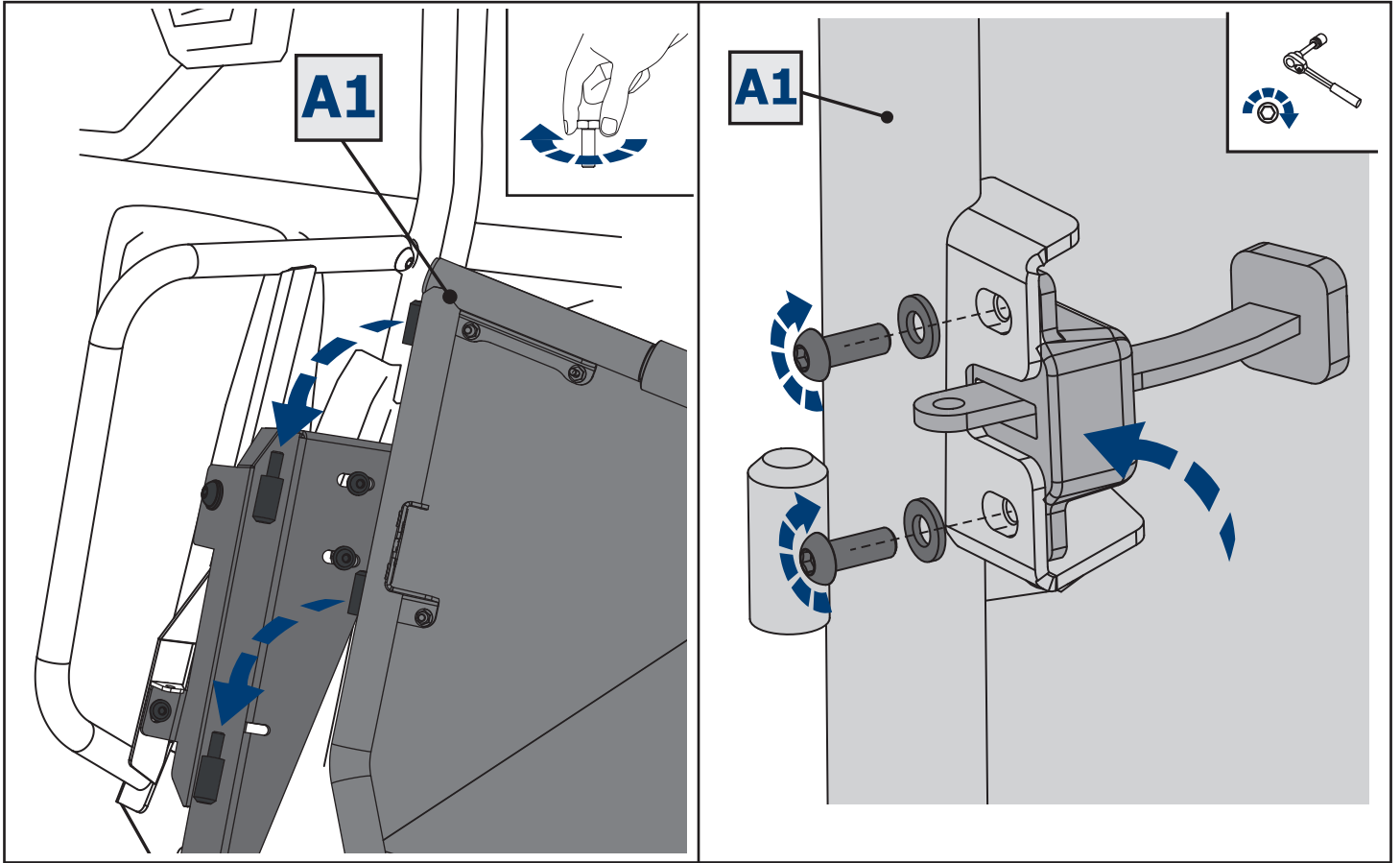


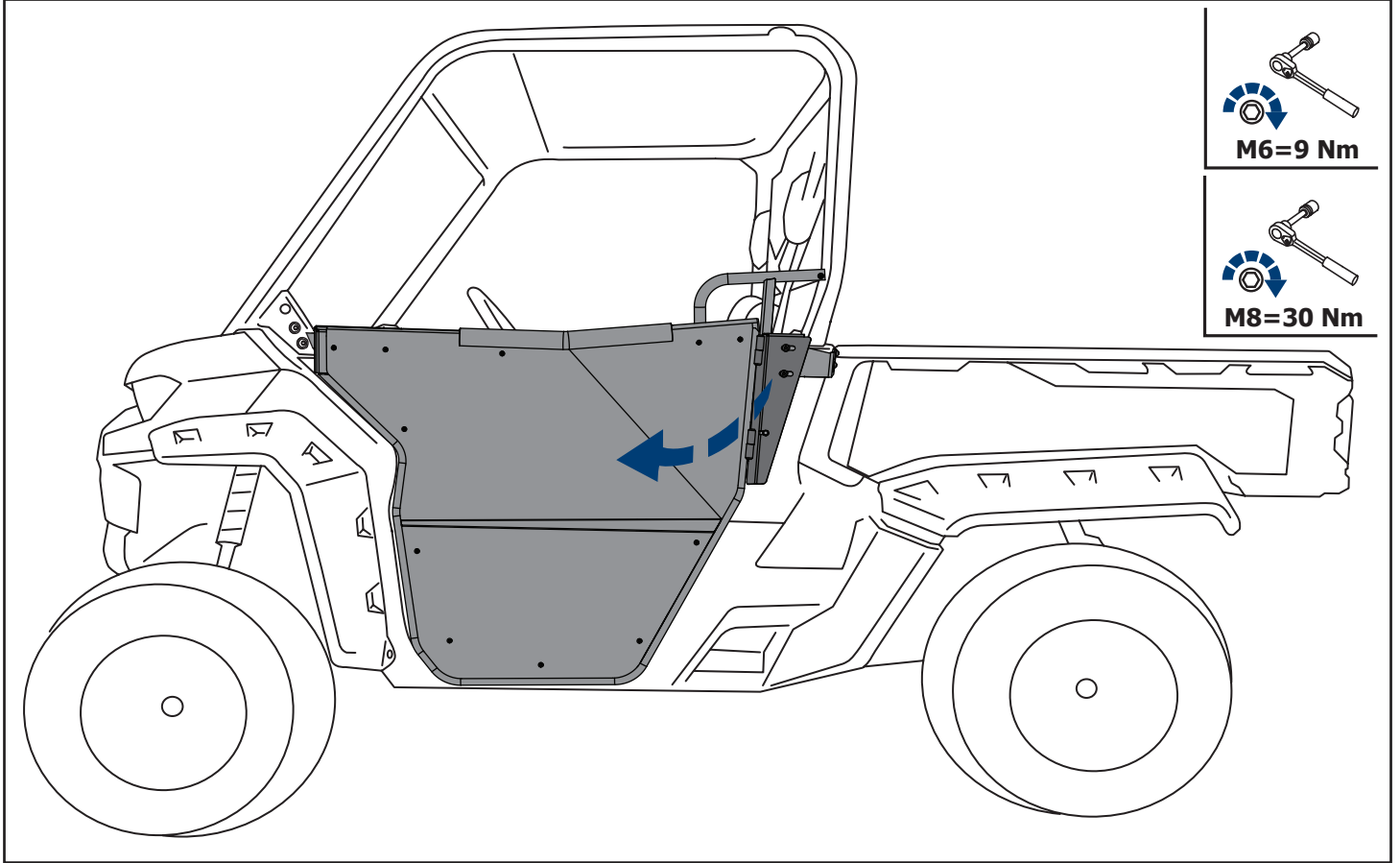
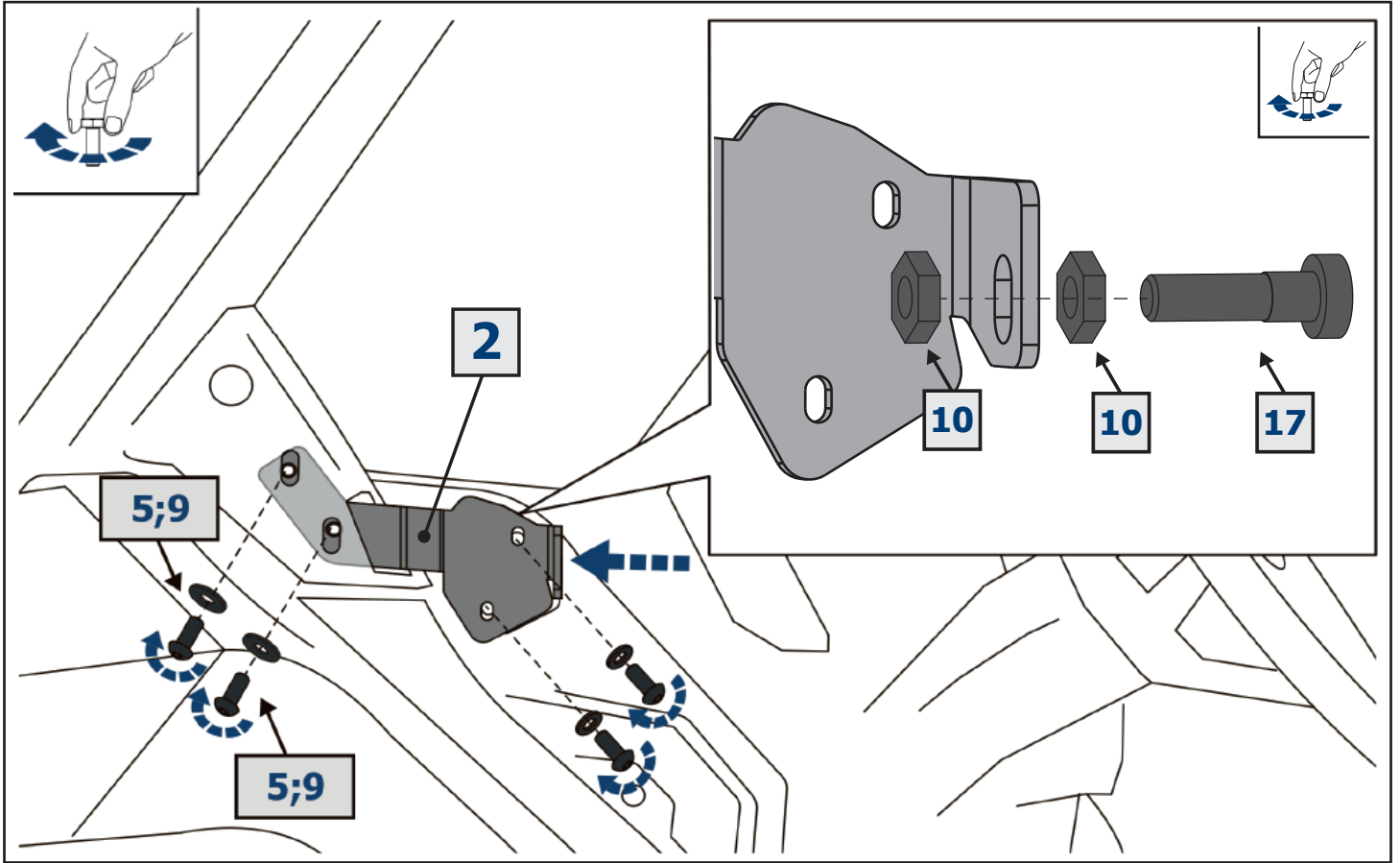


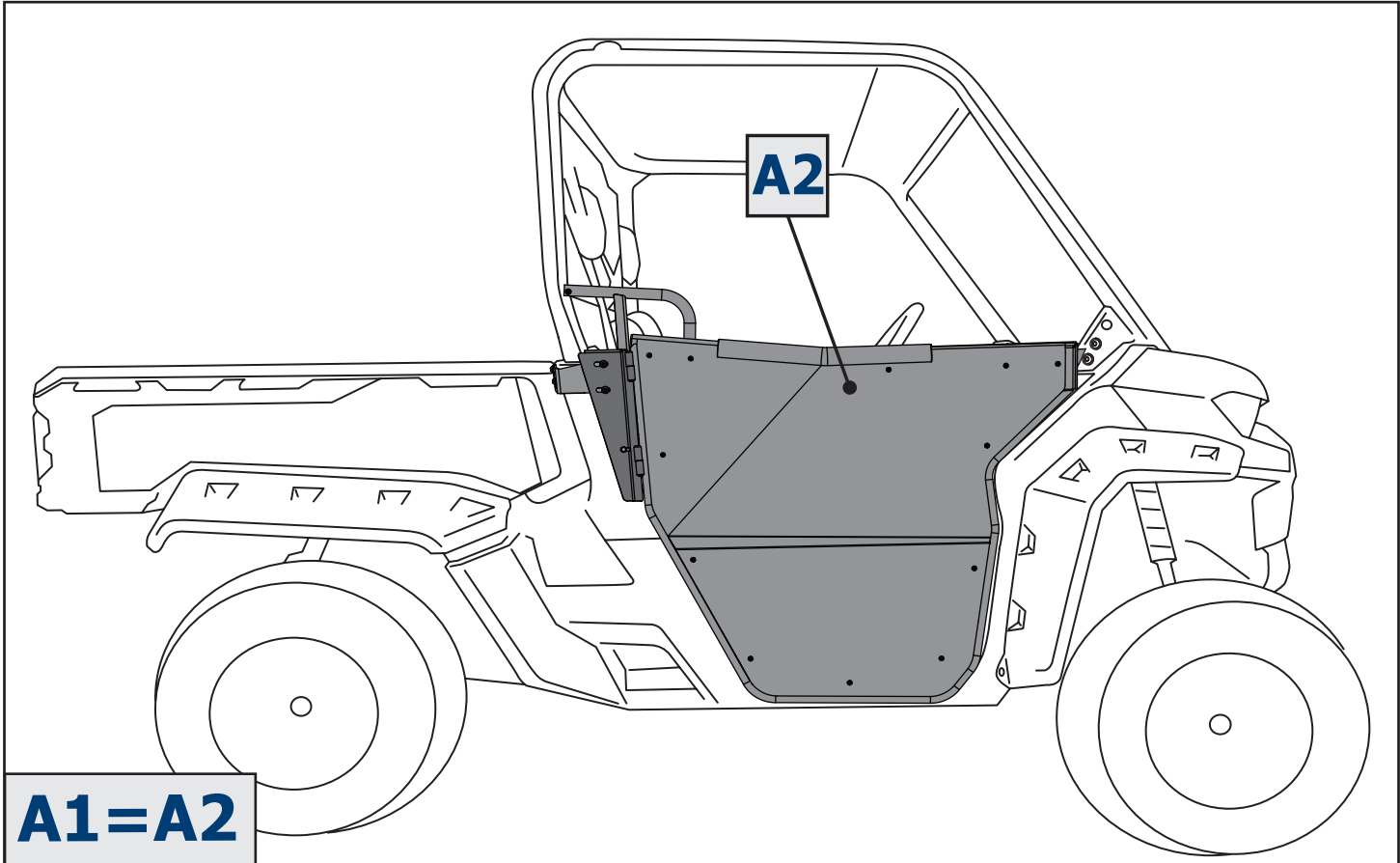












DOOR POSITION ADJUSTMENT - PACKER INSTALLATION AT BOTH LOCATIONS

