

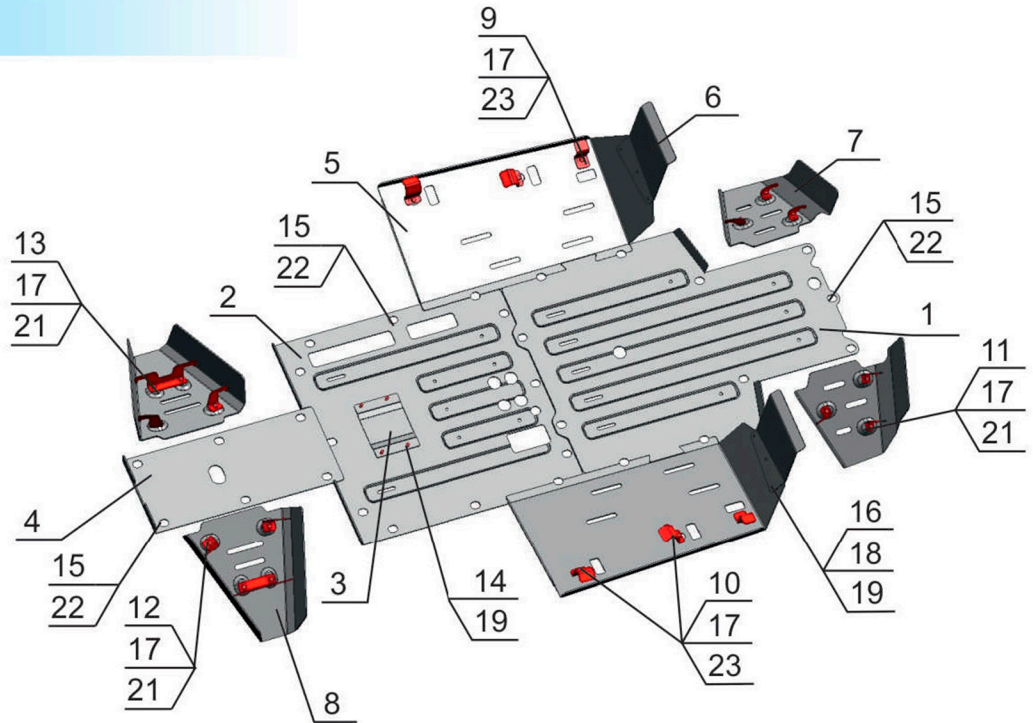
Honda / Pioneer 700

No.: 2444.2108.1
Brend: Honda
Model: Pioneer 700
Year: 2014-
Material: Al - 4 MM



Content

1. Plate 1.....	1 pc	14. Screw M6x20.....	4 pc
2. Plate 2.....	1 pc	15. Bolt M6x20.....	29 pc
3. Plate 3.....	1 pc	16. Blind head bolt.....	6 pc
4. Plate 4.....	1 pc	17. Bolt M8x25.....	20 pc
5. Side step protection.....	2 pc	18. Nut M6.....	6 pc
6. Wheel arch protection.....	2 pc	19. Washer 6.....	10 pc
7. Front CV guards.....	2 pc	21. Washer 8.....	14 pc
8. Rear CV guards.....	2 pc	22. Countersunk washer 6.....	29 pc
9. Bracket.....	2 pc	23. Countersunk washer 8.....	6 pc
10. Bracket.....	4 pc		
11. Bracket.....	6 pc		
12. Bracket.....	4 pc		
13. Bracket.....	2 pc		



Installation Instructions

1. Remove factory protection.
2. Fix plate 1 to original threaded apertures with bolts no. 15 and washers no. 22.
3. Fix plate 2 to original threaded apertures with bolts no. 15 and washers no. 22. Fix plate 3 to plate 2 with bolts no. 14 and washers no. 19.
4. Fix plate 4 to original threaded apertures with bolts no. 15 and washers no. 22.
5. Fix wheel arch protection 6 to side step protection 5 with bolts no. 16, washers no. 19 and nuts no. 18.
- Fix side step protection 4 to brackets no. 9, 10 with bolts no. 17 and washers no. 23.
6. Fix front CV guards 7 to brackets no. 11 with bolts no. 17 and washers no. 21.
7. Fix rear CV guards 8 to brackets no. 12, 13 with bolts no. 17 and washers no. 21.
8. Tighten all screws.

TOOLS REQUIRED






TOOLS REQUIRED



FRONT ARM GUARDS

<p>6</p>  <p>x 2</p>	<p>11</p>  <p>x 6</p>	<p>Bolt M8x25 - 6 pc Washer 8 - 6 pc</p>
---	--	--



REAR ARM GUARDS

<p>7</p>  <p>x 2</p>	<p>12</p>  <p>x 4</p>	<p>13</p>  <p>x 2</p>	<p>Bolt M8x25 - 8 pc Washer 8 - 8 pc</p>
--	---	---	--

FRONT REDUCER GUARD

<p>1</p>  <p>x 1</p>	<p>Bolt M6x20 - 11 pc Countersunk washer 6 - 11 pc</p>
--	--

ENGINE BLOCK GUARD

<p>2</p>  <p>x 1</p>	<p>3</p>  <p>x 1</p>	<p>Bolt M6x20 - 12 pc Screw M6x20 - 4 pc Countersunk washer 6 - 12 pc Washer 6 - 4 pc</p>
--	--	---

BACK REDUCER GUARD

<p>4</p>  <p>x 1</p>	<p>Bolt M6x20 - 6 pc Countersunk washer 6 - 6 pc</p>
---	--

SIDE GUARD

<p>5</p>  <p>x 2</p>	<p>6</p>  <p>x 2</p>	<p>9</p>  <p>x 2</p>	<p>10</p>  <p>x 4</p>	<p>Bolt M8x25 - 6 pc Blind head bolt - 6 pc Countersunk washer 8 - 6 pc Washer 6 - 6 pc Nut M6 - 6 pc</p>
--	--	--	---	---