
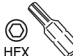
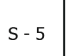
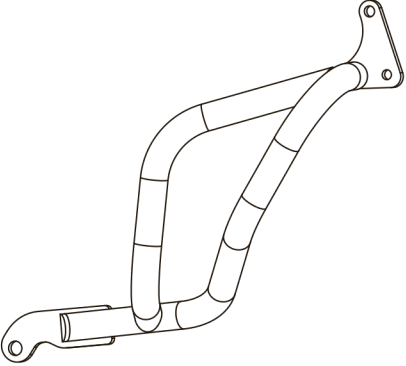
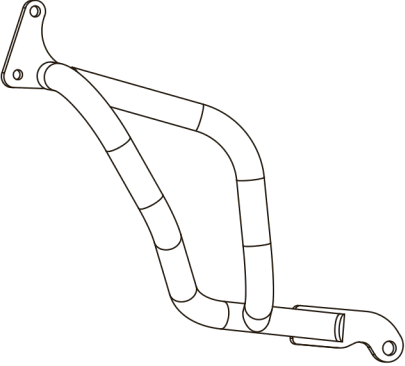
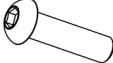

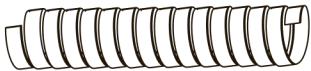


EN PROTECTIVE LOWER ARCHES INSTALLATION MANUAL

RU ИНСТРУКЦИЯ ПО УСТАНОВКЕ ЗАЩИТНЫХ НИЖНИХ ДУГ

| | | | | | | | |
|---|---|---|---|---|---|---|--|
| | |  EN Ratchet RU Трещётка | |  HEX | |  S - 5 | |
| A1 | | A2 | | | | | |
|  | |  | | | | | |
| | | | | x1 | | x1 | |
| 1 |  | 2 |  | 3 |  | | |
| M8x25 | x4 | ø8 | x2 | | | x1 | |



2444.9306.1
For: CF Moto 450 MT Sport/Touring (2023-)

WWW.RIVALPOWERSPORTS.RU

INSTALLATION

