

EN BUMPER KIT INSTALLATION MANUAL

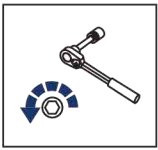
DE MONTAGEEINLEITUNG FÜR STOBFÄNGER-KIT



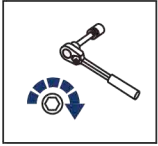
For: CFMOTO UForce 1000 EPS (2019-)

2444.6893.2

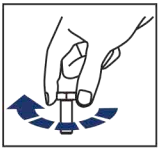




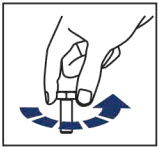
EN Regular fasteners
DE Originale montageile



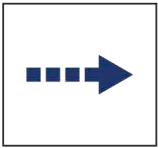
EN Regular fasteners
DE Originale montageile



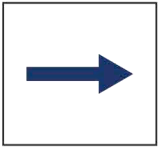
EN Screw a several turns
DE Für wenigen Umdrehungen befestigen



EN Loosen bolts
DE Bolzen lockern



EN Movement Arrow
DE Bewegungsrichtung

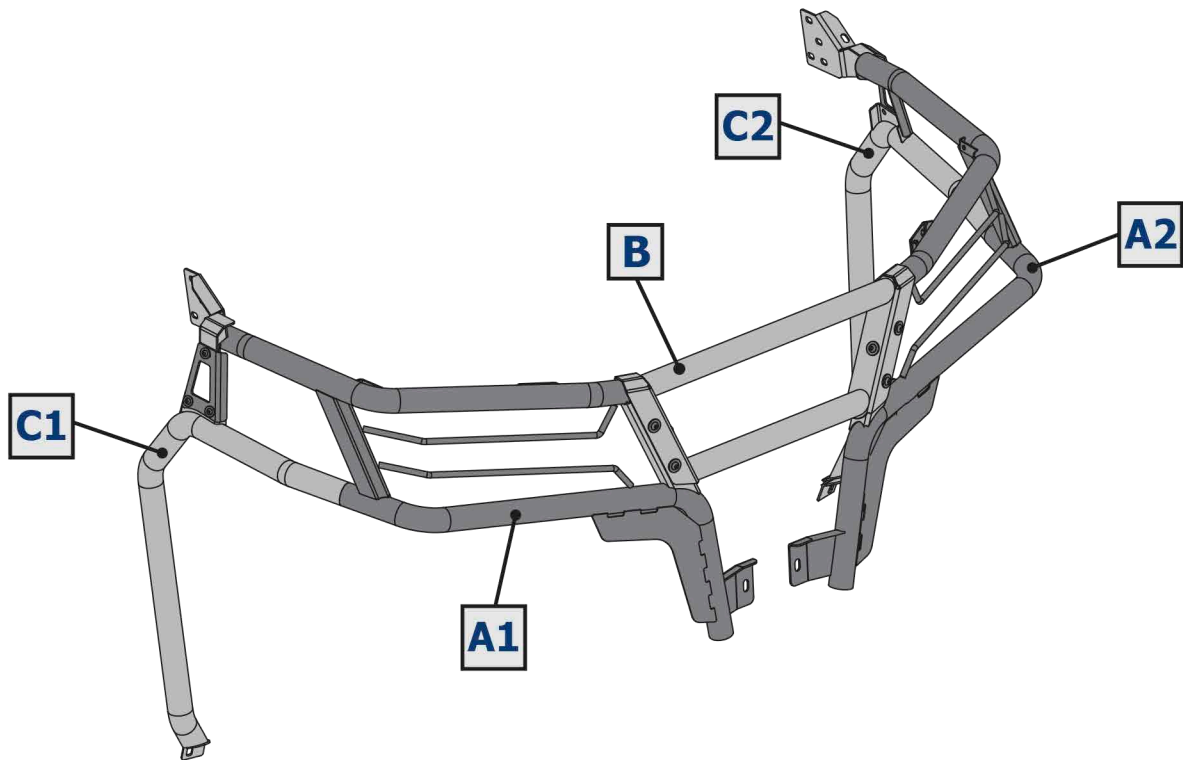


EN Location/Position Arrow
DE Amordnung/Positionsrichtung



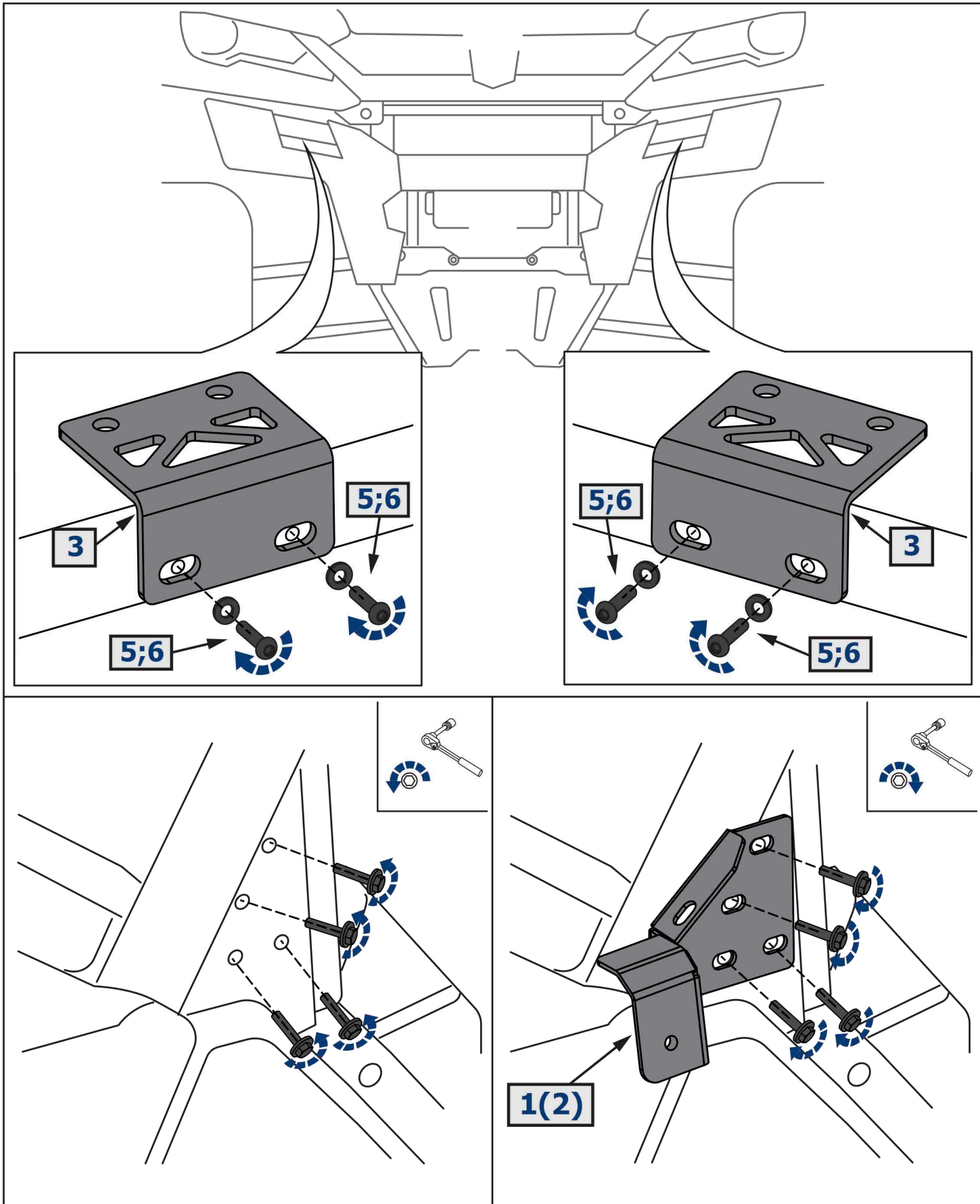
EN Screw Arrow
DE Drehungsrichtung

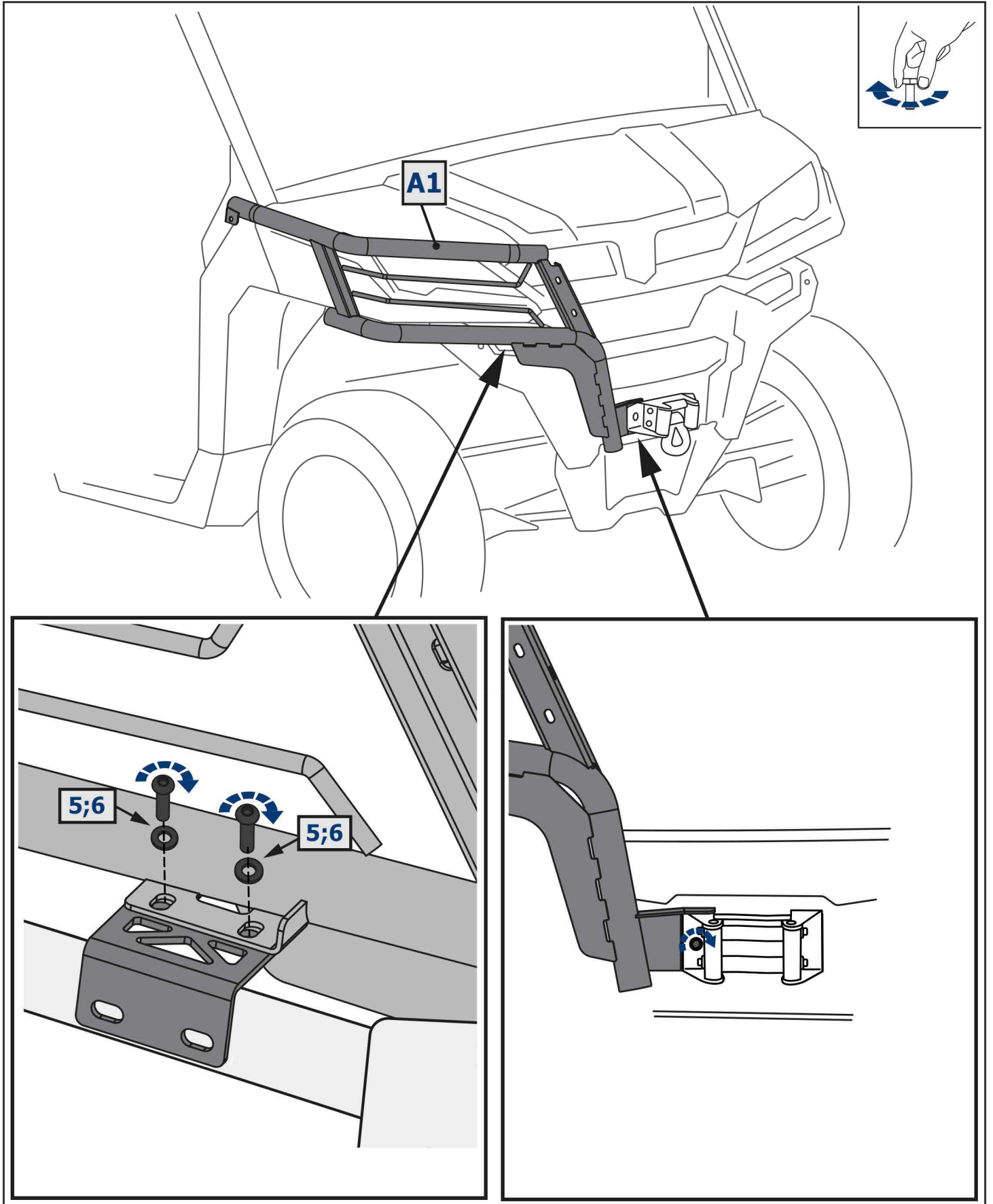
	EN Ratchet DE Ratsche		S - 13		HEX S - 5 S - 6
--	--------------------------	--	--------	--	-----------------------

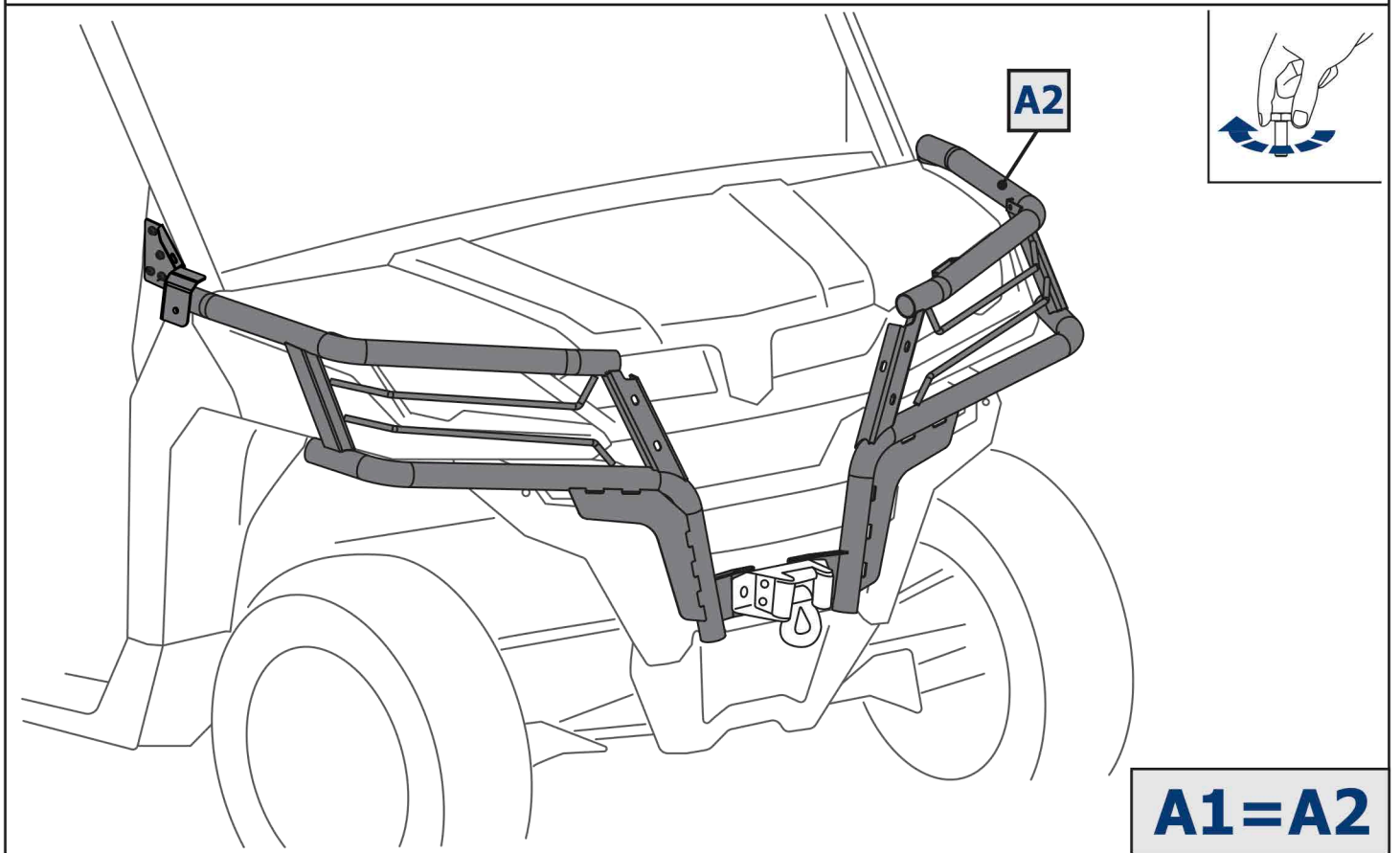
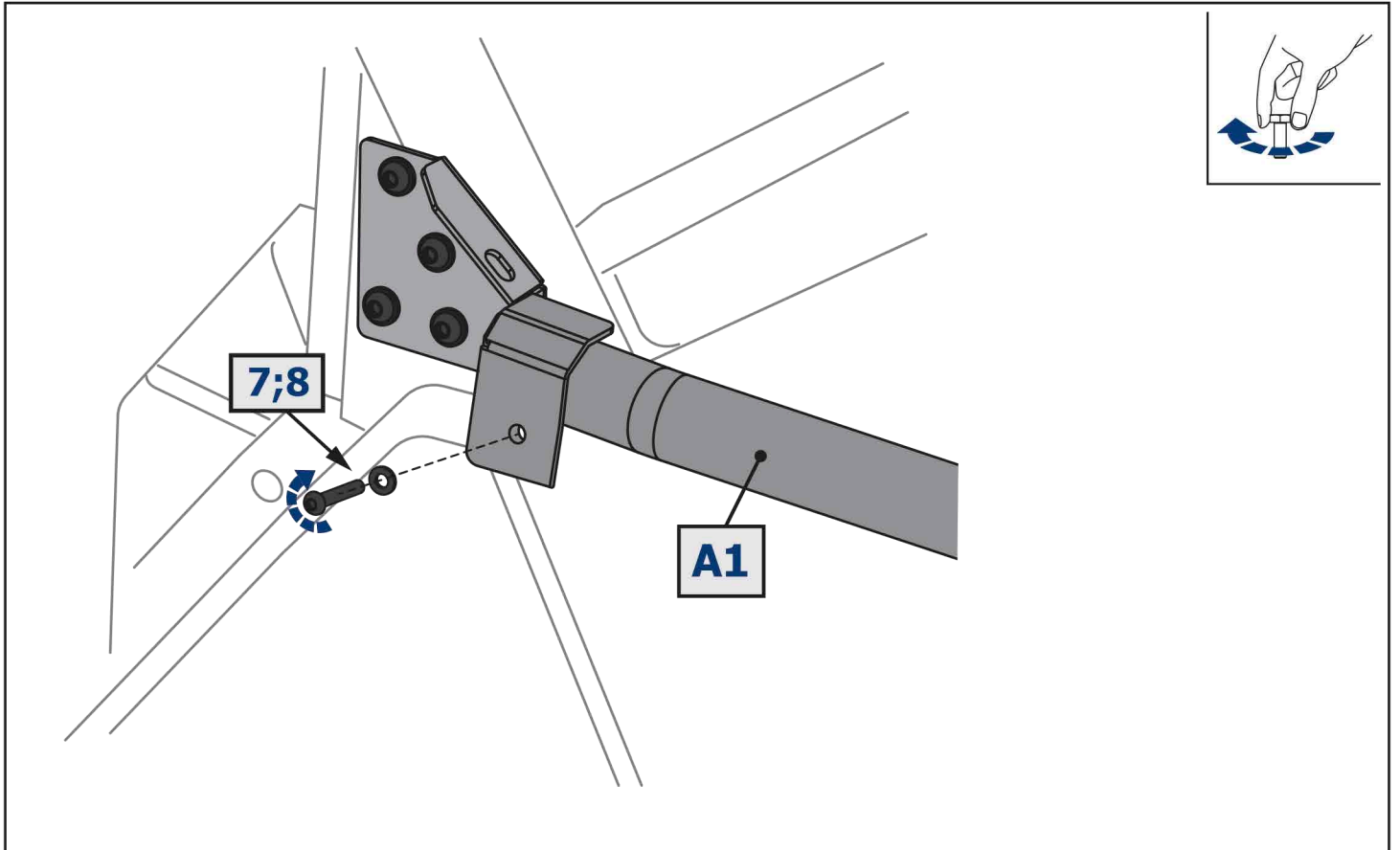


1 x1	2 x1	3 x2	4 M8x25 x8	5 M8x20 x14	6 Ø8 x22
7 M10x30 x2	8 Ø10 x2	9 Ø8 x8	10 M8 x8	11 M6x20 x2	12 Ø6 x2
13 x2	14 x1	15 x1	16 x1	17 x1	

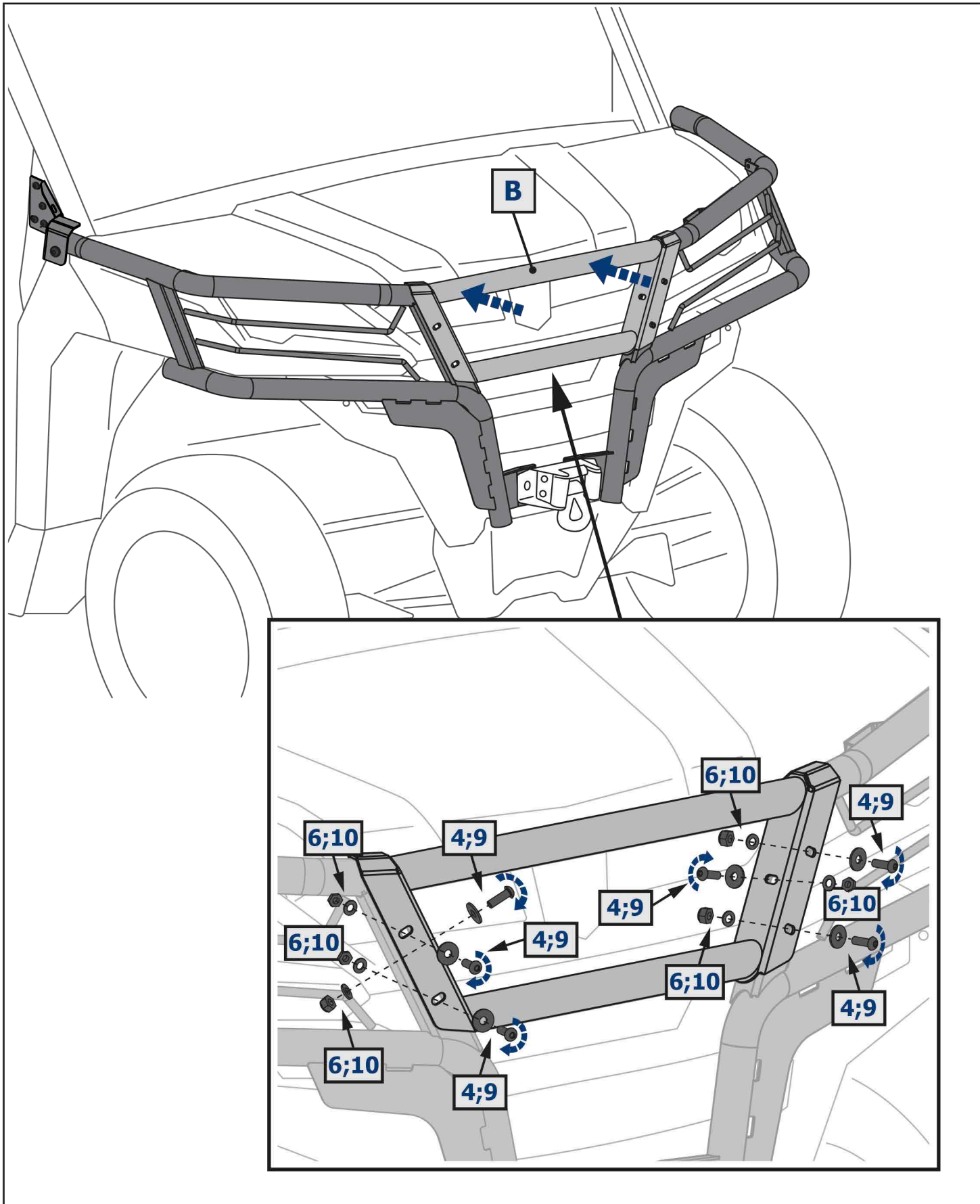
PRE-INSTALLATION: LAY OUT COMPONENTS AND COMPARE TO LIST AND IMAGES. IMAGES MAY NOT PORTRAY THE FULL DETAIL OR EXACT SHAPE OF THE PARTS; HOWEVER, THEY REPRESENT PARTS THAT HAVE SAME OR SIMILAR FUNCTION.

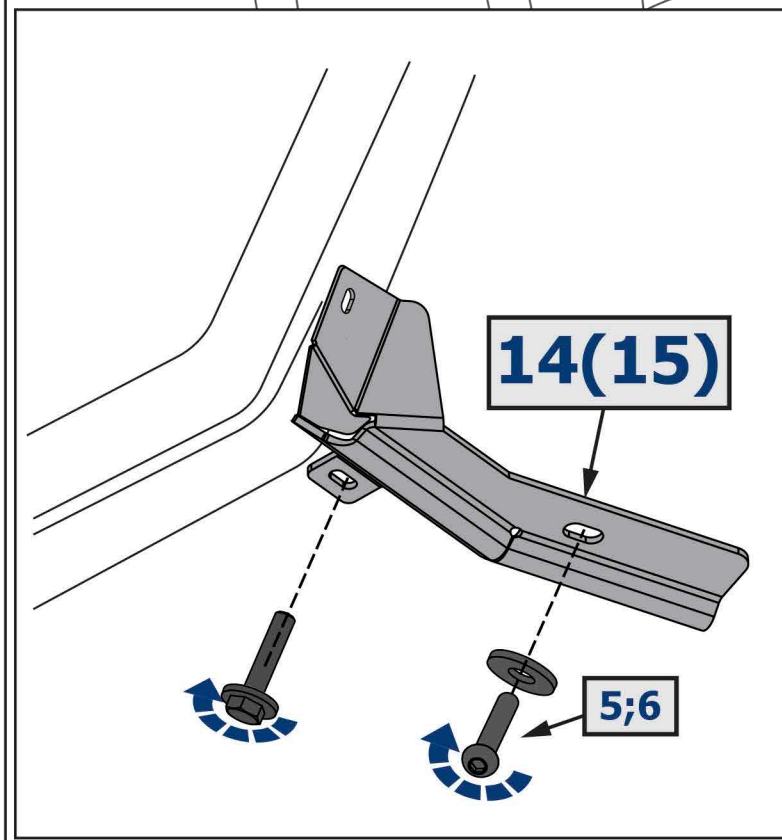
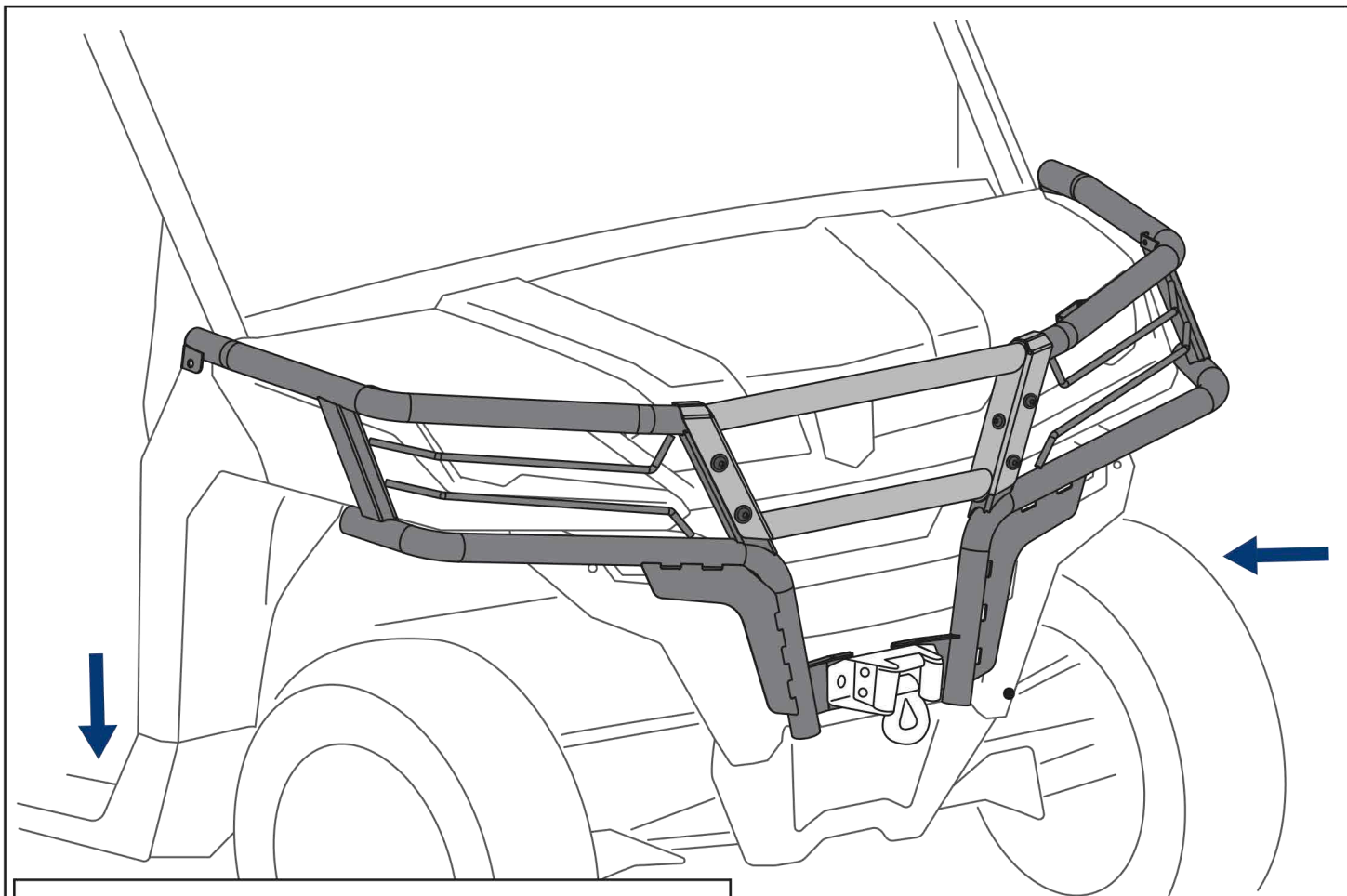


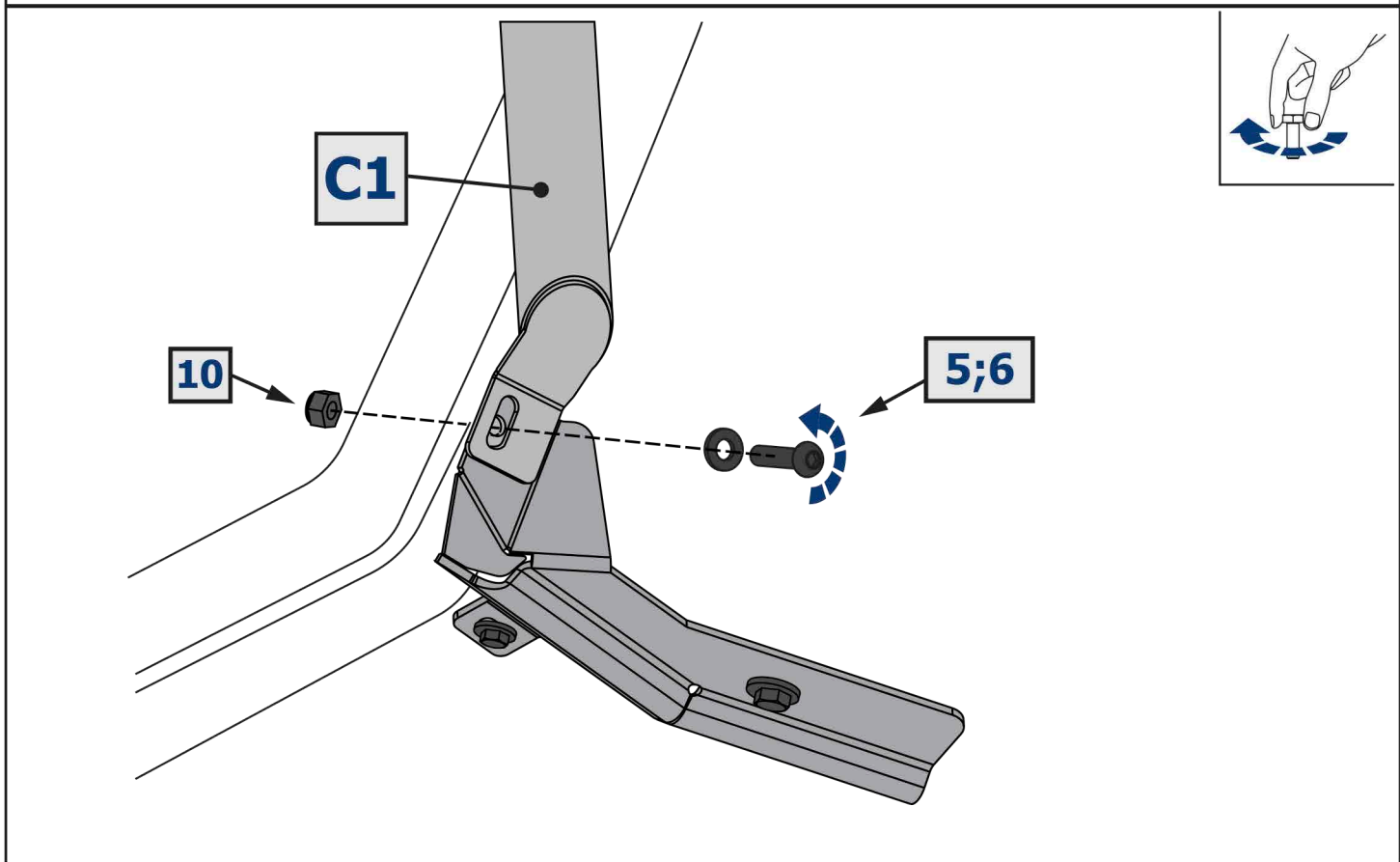
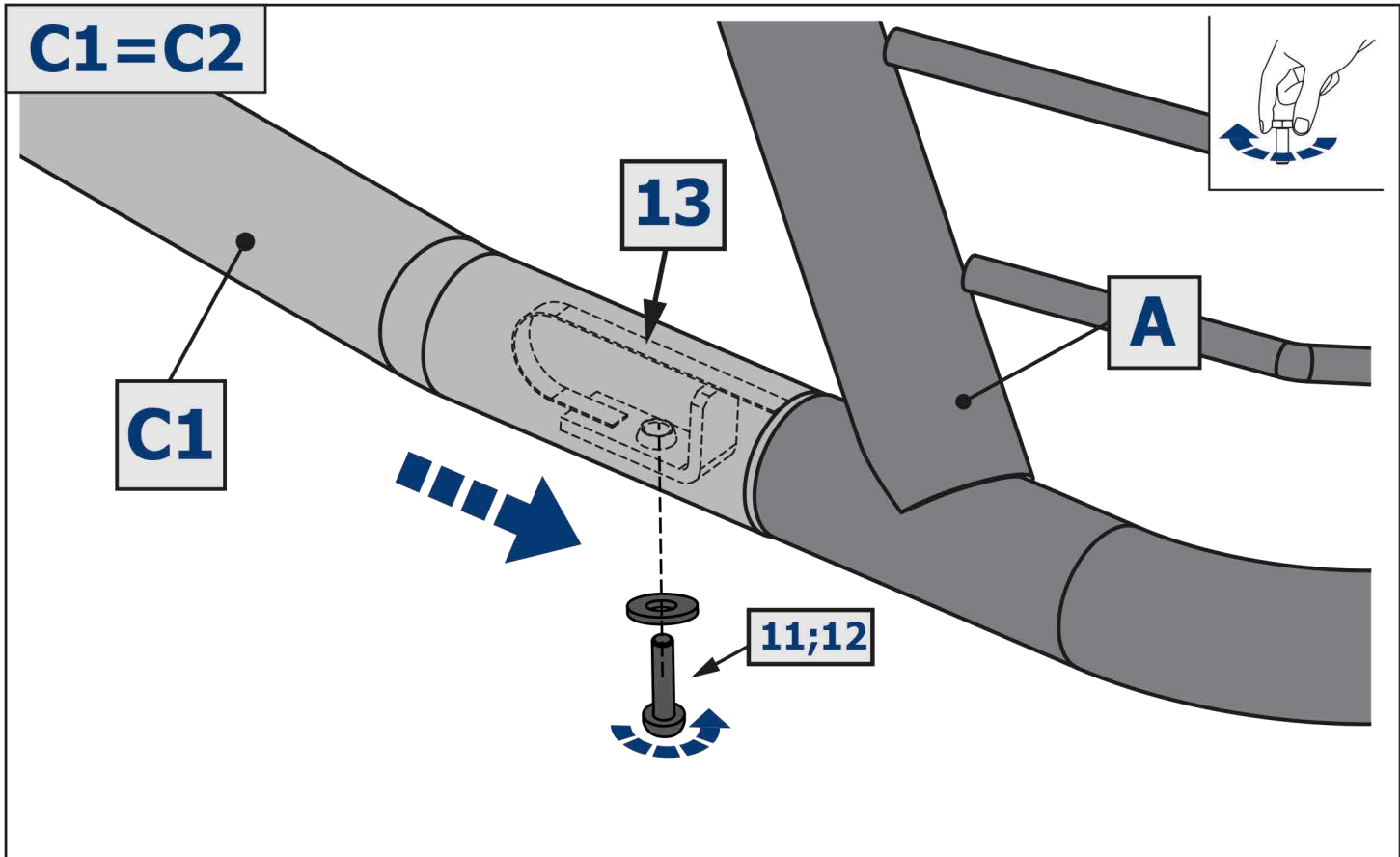


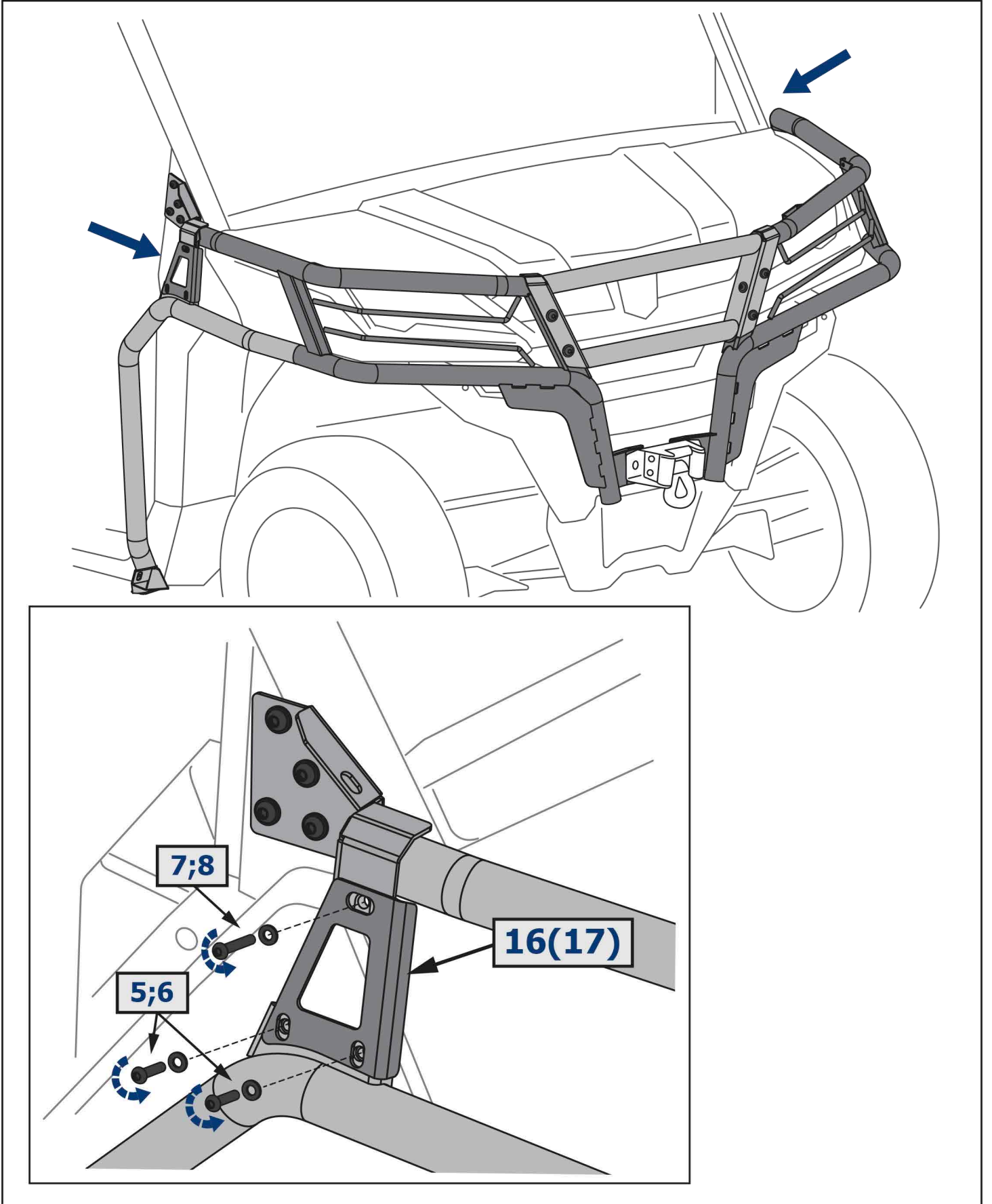


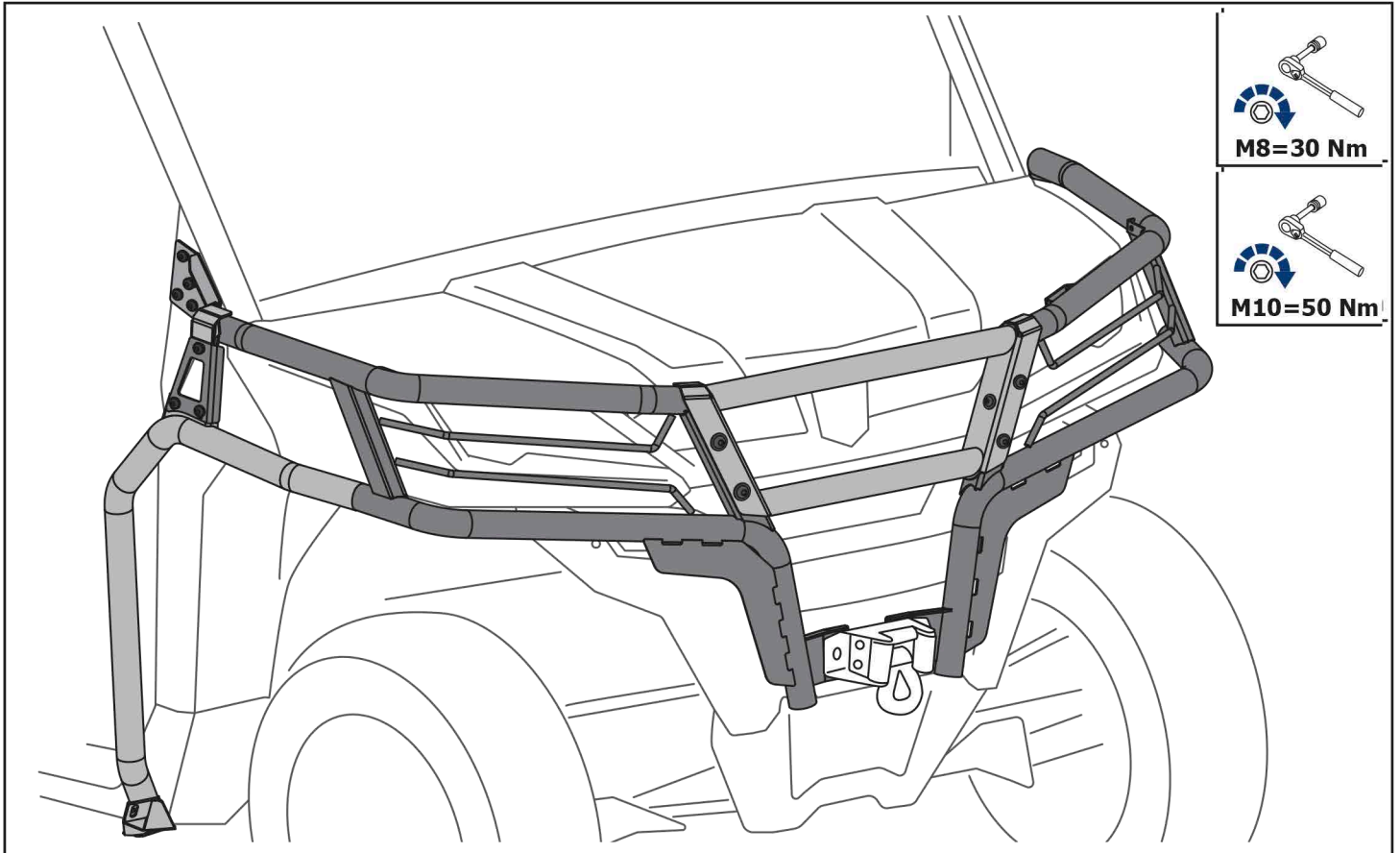
A1=A2











TIP: PERIODICALLY CHECK ALL HARDWARE AND RE-TIGHTEN IF NEEDED.